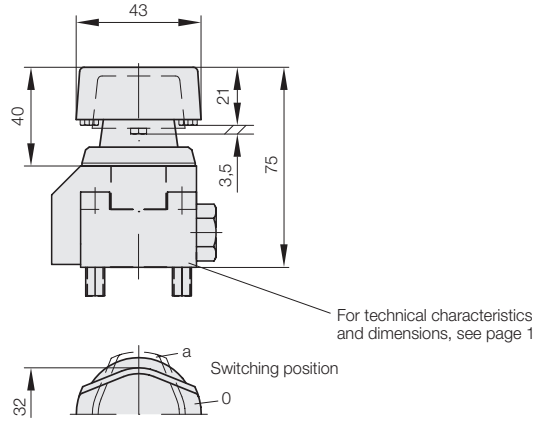


Rotary handle D



Operation

Rotary handle	latching
Rotary angle	4 x 90°
Operating torque	approx. 0.63 Nm
Weight	approx. 0.4 kg

Note

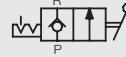
For valve combinations, single and double acting, see data sheet C 2.345.

Denomination

Switching symbol

Part no.

2/2 directional control valve DR 2-1



2321 302

3/2 directional control valve DZ3-1



2321 201

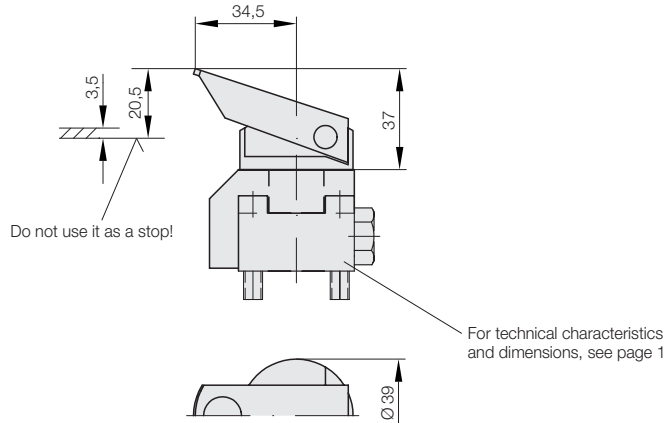
3/2 directional control valve DZ3-1R



2321 300

Other functions on request

Sensing lever F



Operation

Sensing lever	not latching with return spring
Switching stroke	max. 20.5 mm
Switching force	25...28 N
Weight	approx. 0.4 kg

Denomination

Switching symbol

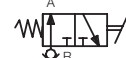
Part no.

2/2 directional control valve FR2-1



2323 302

3/2 directional control valve FZ3-1R



2323 301

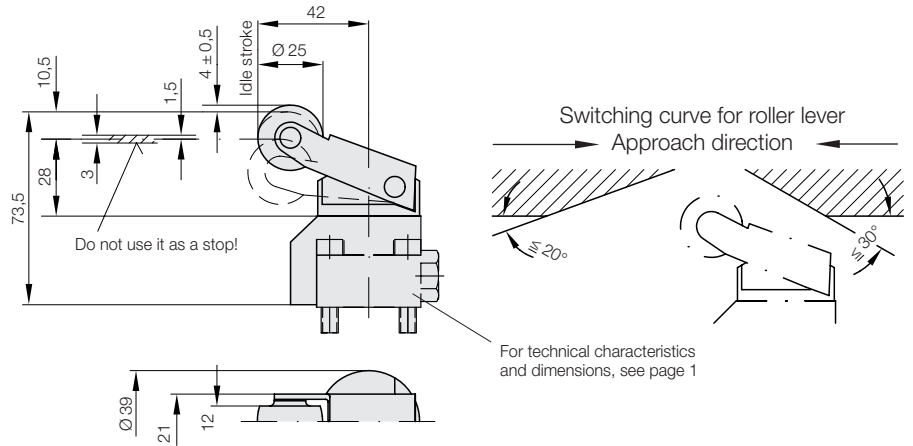
3/2 directional control valve F3-1R



2323 201

Other functions on request

Sensing roller K

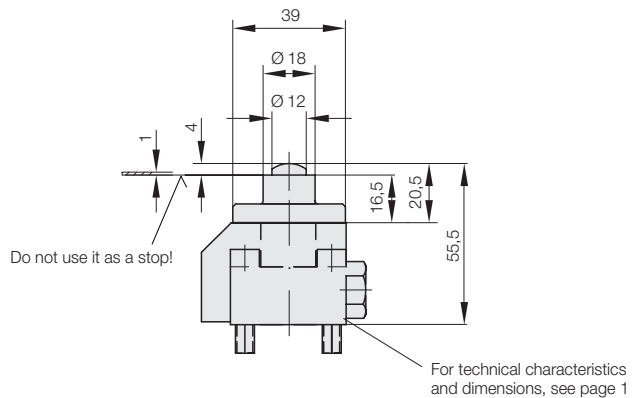
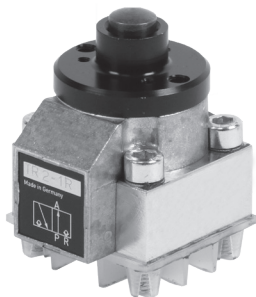


Operation

Roller lever with return spring
 Functional path 10.5 mm
 Switching force 25...28 N
 Weight approx. 0.4 kg

Denomination	Switching symbol	Part no.
2/2 directional control valve KR 2-1		2341 803
3/2 directional control valve KZ3-1		2341 101
3/2 directional control valve KZ3-1R		2341 201
3/2 directional control valve K3-1		2341 102
3/2 directional control valve K3-1R		2341 301

Sensing pin T



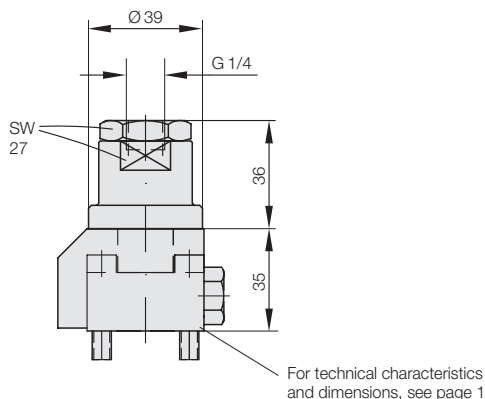
Operation

Sensing pin with return spring
 Switching stroke max. 4 mm
 Switching force 51...57 N
 Weight approx. 0.4 kg

Denomination	Switching symbol	Part no.
2/2 directional control valve TR 2-1		2322 302
3/2 directional control valve TZ3-1		2322 203
3/2 directional control valve TZ3-1R		2322 201
3/2 directional control valve T3-1		2322 200
3/2 directional control valve T3-1R		2322 301

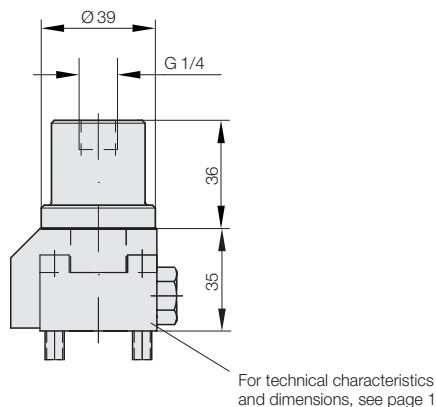
Pressure operated elements

Hydraulics H



Operation		Denomination	Switching symbol	Part no.
Hydraulic piston	with return spring	2/2 directional control valve HR 2-1		2331 401
Operating volume	approx. 0.4 cm ³	3/2 directional control valve HZ3-1		2351 220
Control pressure	12... 500 bar	3/2 directional control valve HZ3-1R		2351 320
Weight	approx. 0.5 kg	3/2 directional control valve H3-1		2351 201
Adm. temperature range (environment)	-40 ... 80 °C	3/2 directional control valve H3-1R		2351 301

Pneumatics P



Operation		Denomination	Switching symbol	Part no.
Pneumatic piston	with return spring	2/2 directional control valve PR 2-1		2331 301
Operating volume	approx. 1 cm ³	3/2 directional control valve PZ3-1R		2331 100
Control pressure	4... 15 bar	3/2 directional control valve P3-1		2332 200
Compressed air	lubricated and filtered	3/2 directional control valve P3-1R		2332 300
Weight	approx. 0.4 kg			
Adm. temperature range (environment and medium)	-20 ... + 70 °C			