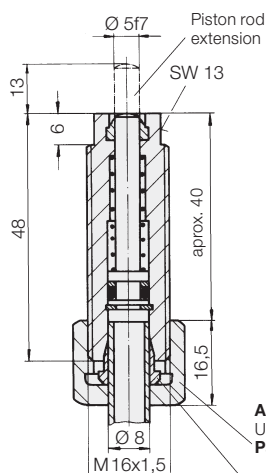
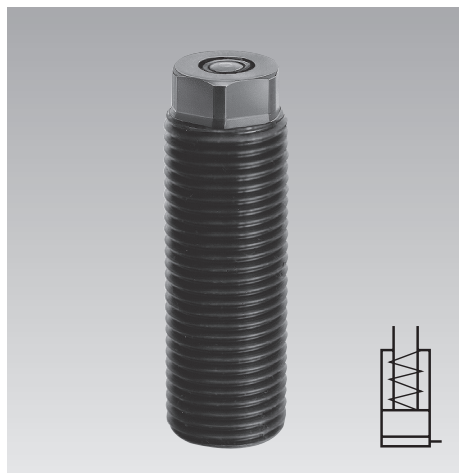




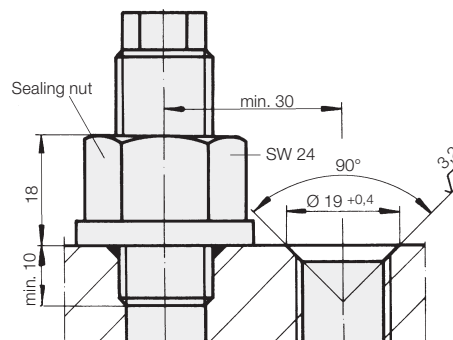
Threaded-Body Cylinder

single acting with spring return and wiper
max. operating pressure 160/500 bar



Accessory:
Union nut m8S
Part no. 9208100

Olive s8S
Part no. 9208101



Description

These threaded-body cylinders allow direct tube or hose connection.

Due to elimination of the pipe union a particularly compact assembly results. Depending on wall strength and fixing method (thread or bore) a certain adjustment is possible.

The cylinders can also be screwed into threaded bores. Sealing is then effected by the sealing nut available as accessory. By adjustment, workpiece tolerances of more than 20 mm can be absorbed.

Material

Piston material: casehardening steel, hardened
Cylinder body: free-cutting steel

Important notes

Threaded-body cylinders must not be subjected to a load in retracted position.

The cylinder is not suitable for pre-mounting of the cutting ring, since there is no stop for the tube. This pre-assembly has to be made by means of a male connector D8S (9208102).

Cylinders have to be protected against direct influences of aggressive cutting lubricants and coolants.

Operating conditions, tolerances and other data see data sheet A 0.100.

Piston Ø	[mm]	8
Stroke	[mm]	10
Clamping force 100 bar	[kN]	0.5
at 500 bar	[kN]	2.5
Min. operating pressure	[bar]	5
Oil volume per 10 mm stroke	[cm ³]	0.5
Piston area	[cm ²]	0.5
Spring return force, min.	[N]	15
Weight	[g]	55

Part no. 1459001

Part no. with piston rod extension 1459011

Version with minimum leakage rate for operating pressure up to 160 bar

e.g. for applications with many operating cycles

Part no. 1459101

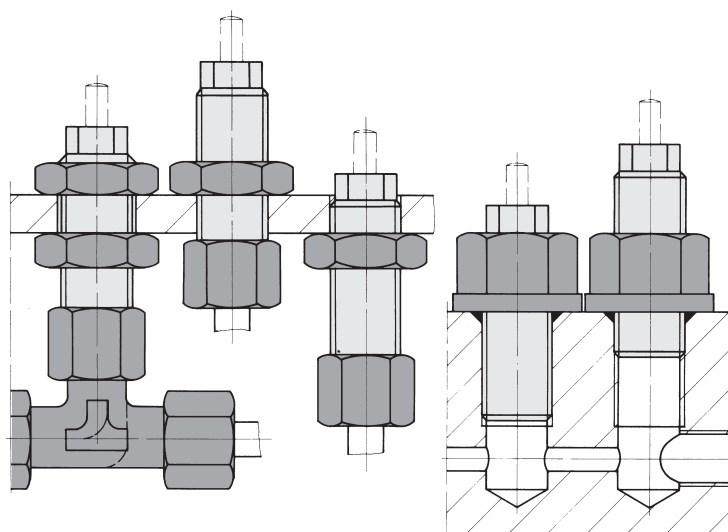
Part no. with piston rod extension 1459111

Accessories

Connecting possibilities	Operating pressure	
	250* bar	500 bar
Precision steel tube as per DIN 2391 galvanized	8x1*	8x2
High-pressure hose ND 4 (s. sheet F 9.361)	93752X	
Seal nut M16x1.5	3300407	
Max. seating torque	90 Nm	
Lock nut M16 x 1.5 DIN 936	3300409	

* Tubes and hoses have to be provided with union nuts m8S and olives s8S.

Article available on request



Adjustable T-swivel joint QE8S

Part no. 9208035

Adjustable swivel joint KE8S

Part no. 9208036

Article available on request