



**Swing Clamp with Overload Protection Device**  
Bottom flange and threaded body,  
single and double acting, max. operating pressure 500 bar



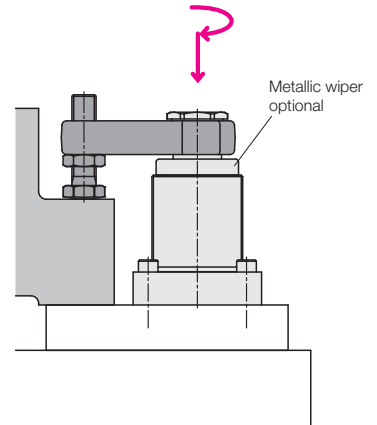
**Advantages**

- 4 sizes each with 3 clamping stroke lengths available
- Bottom flange or threaded mounting
- Pipe thread or drilled channels
- Single or double-acting function
- Standard FKM wiper
- Metallic wiper optional
- Various clamping arms as accessories

**Overload protection device**

The overload protection device is a spring-loaded disengageable coupling between piston and helix rod that protects the swing mechanism against damage in case of

- blocked swing motion
- too high swing speed
- improper fixing of clamping arm



**Application**

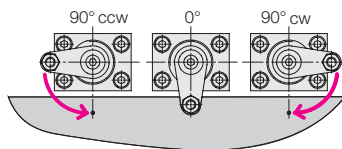
Hydraulic swing clamps are used for clamping of workpieces, when it is essential to keep the clamping area free of straps and clamping components for unrestricted workpiece loading and unloading.

**Description**

The hydraulic swing clamp is a pull-type cylinder where a part of the total stroke is used to swing the piston.

**Swing direction**

The units are available with clockwise and counterclockwise swing motion or without swing motion (0°).



**Standard swing angle 90° ± 2°**

Optionally swing angles of 60°, 45° and 0° are available.

Further swing angles in steps of 5° are available on request.

**0°-Version**

Use as pull-type cylinder with a piston which is secured against torsion and which allows eccentric load as per clamping force diagram.

**Important notes**

Swing clamps must only be used for clamping of workpieces in industrial applications and may only be operated with hydraulic oil. They can generate very high forces. The workpiece, the fixture or the machine must be in the position to compensate these forces.

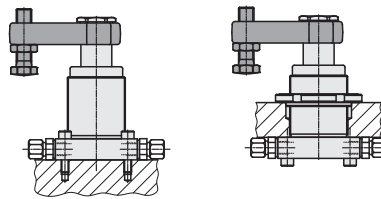
In the effective area of piston rod and clamping arm there is the danger of crushing. The manufacturer of the fixture or the machine is obliged to provide effective protection devices. The swing motion must not be impeded to avoid the disengagement of the overload protection device.

When using single-acting swing clamps, it is absolutely necessary to follow the instructions for venting of the spring area see data sheet G 0.110.

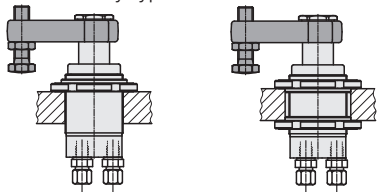
**Installation and connecting possibilities**

**Pipe thread**

Bottom flange

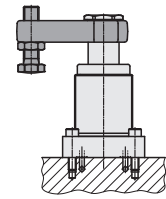


Threaded-body type



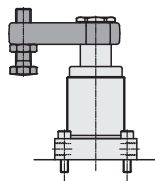
**Wiper system** see page 6

**Drilled channels**



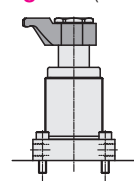
**Accessories**

**Clamping arm with contact bolt** (200 bar)

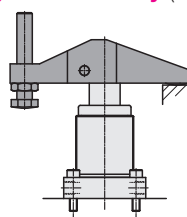


Note: Calculation of the effective clamping force see page 4

**Cranked clamping arm** (300 bar)

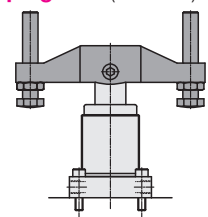


**Clamping arm assembly** (500 bar)



The asymmetric clamping arm assembly is based on a fixed datum. Very high clamping force at 500 bar

**Double clamping arm** (500 bar)

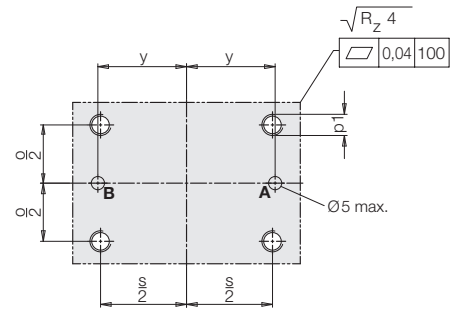
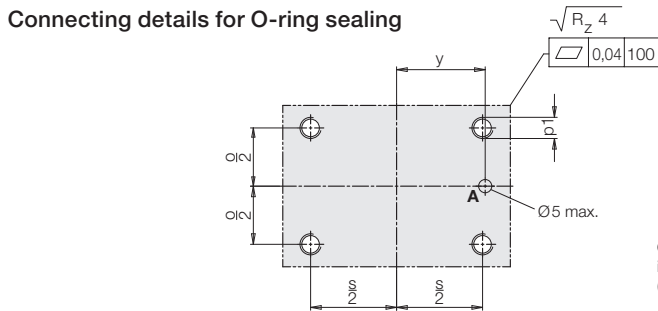
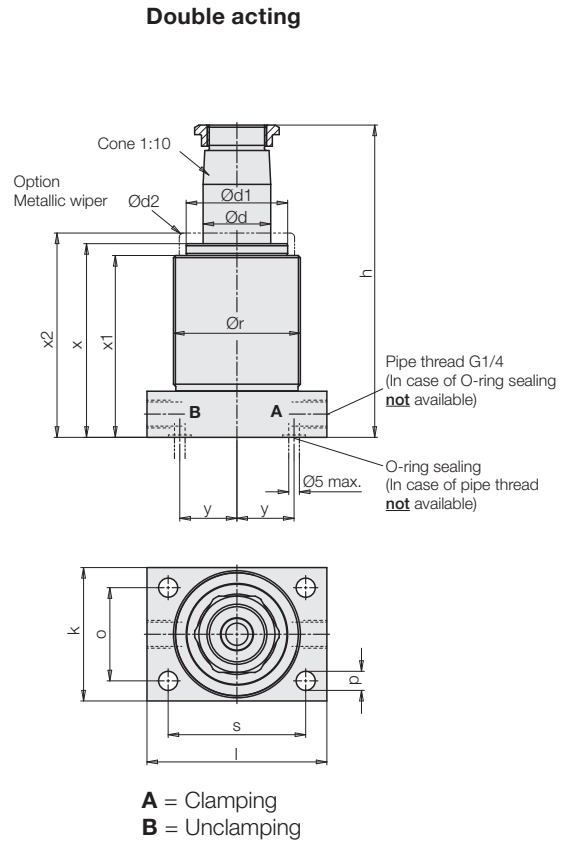
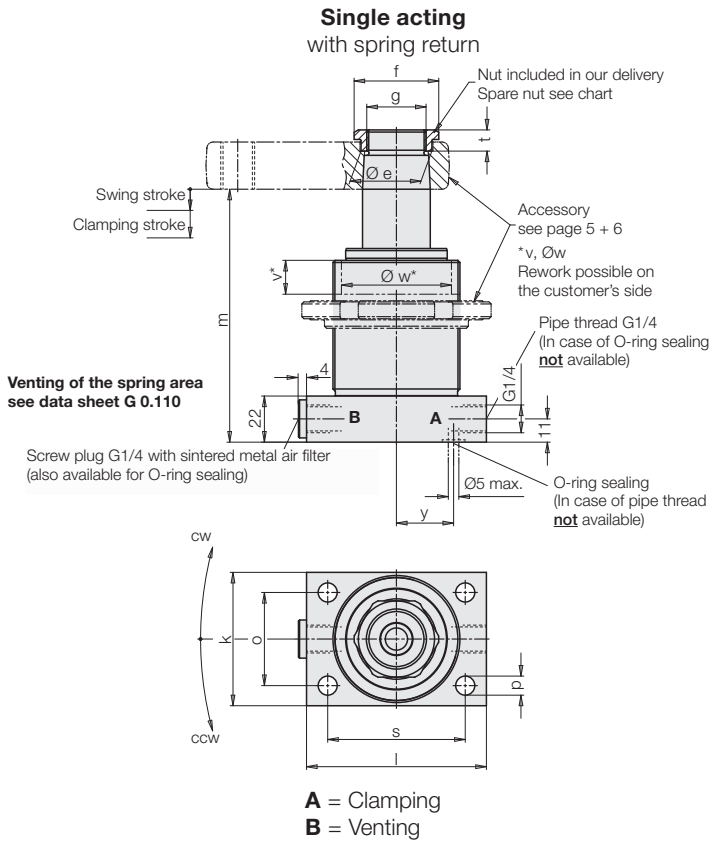


The symmetrical double clamping arm can clamp two workpieces simultaneously, the pulling force of the piston is halved. Built-in spring elements ensure horizontal off-position.

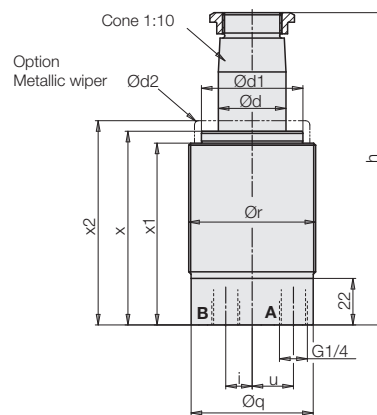
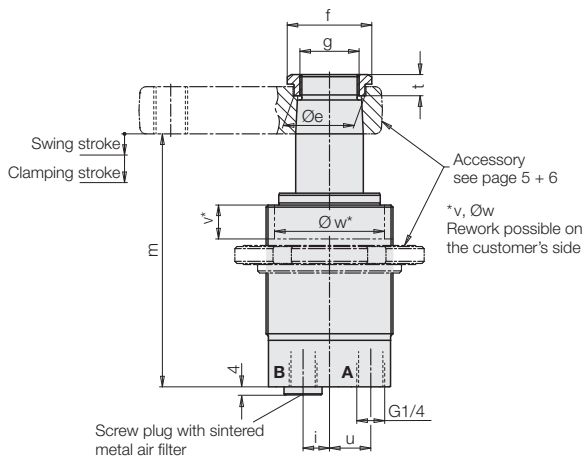
Operating conditions, tolerances and other data see data sheet A 0.100

# Dimensions

Flange type with pipe thread G 1/4 or with O-ring sealing (see chart)



Threaded-body version with pipe thread G 1/4



### Mounting position

Mounting preferred in vertical position! Horizontal mounting position is possible with accessory clamping arm (page 5 + 6), but additional flow rate throttling is required to avoid the response of the overload protection device. That is the reason why heavier clamping arms cannot be used!

### Material

Piston	High alloy steel, nitrated or chromium-plated to size
Body	High alloy steel, nitrated
Sealings	NBR, PTFE (on request FKM)
Wiper	FKM
Metallic wiper	Nitriding steel

Operating conditions, tolerances and other data see data sheet A 0.100

## Technical Data Part Numbers

Swing clamps	18X3			18X5			18X6			18X7		
Max. pulling force at 500 bar												
single acting approx. [kN]	8.4			21.4			33.8			55.8		
double-acting approx. [kN]	8.83	8.83	8.83	22.6	22.6	22.6	35.3	35.3	35.3	57.6	57.6	57.6
Effective clamping force [kN]	see diagram and calculation of the clamping force on page 4											
<b>Clamping stroke [mm]</b>	<b>11</b>	<b>25</b>	<b>50</b>	<b>13</b>	<b>25</b>	<b>50</b>	<b>15</b>	<b>25</b>	<b>50</b>	<b>15</b>	<b>25</b>	<b>50</b>
Swing stroke [mm]	8	10	10	9	10	10	11	11	11	10	13	13
Total stroke ±0.2 [mm]	19	35	60	22	35	60	26	36	61	25	38	63
Declutch moment of overload protection [Nm]	3.5	3.5	3.5	11	11	11	17	17	17	22*/30	30	30
Min. operating pressure												
single acting [bar]	40			40			35			30		
double acting [bar]	20	20	20	20	20	20	20	20	20	20	20	20
Adm. flow rate (page 5)												
Clamping [cm³/s]	3.4	3.4	3.4	10	10	10	18.4	18.4	18.4	29	29	29
Unclamping** [cm³/s]	9.4	9.4	9.4	27.7	27.7	27.7	51	51	51	78	78	78
Piston area												
Clamping [cm²]		1.767			4.524			7.069			11.537	
Unclamping [cm²]		4.909			12.56			19.635			31.172	
Oil volume / stroke												
Clamping [cm³]	3.4	6.2	10.6	10	16	27.2	18.4	25.5	43.2	29	44	73
Unclamping** [cm³]	9.4	17.2	29.5	27.7	44	76	51	71	120	78	119	197
Piston Ø [mm]		25			40			50			63	
Rod Ø d [mm]		20			32			40			50	
Ø d1 [mm]		38			48			60			70	
Ø d2 [mm]		42			54.5			75			87	
Ø e [mm]		23.5			33.5			45			55.5	
f [mm]		SW 27			SW 36			Ø 55			Ø 68	
g [mm]		M18x1.5			M28x1.5			M35x1.5			M45x1.5	
h ± 0.25 [mm]	126.5	158.5	208.5	147.5	173.5	223.5	172	192	242	183	209	259
h max. **** [mm]	128.6	160.6	210.6	149.2	175.2	225.2	174.3	194.3	244.3	184.7	210.7	260.7
i [mm]		12			12.5			19			25.5	
k [mm]		45			63			80			90	
l [mm]		65			85			100			115	
m ± 1 [mm]	106.3	138.3	188.3	119.9	145.9	195.9	138.9	158.9	208.9	143.3***	169.3***	219.3***
o [mm]		30			44			60			68	
Ø p [mm]		6.5			8.5			13.5			16	
p1 [mm]		M 6			M 8			M 12			M 14	
Ø q [mm]		42.7			57.7			77			87.5	
r [mm]		M45x1.5			M60x1.5			M80x2			M90x2	
s [mm]		50			65			80			90	
t [mm]		9			10			11			12	
u [mm]		12			19.5			26.5			34	
v max. [mm]		11			17			20			28	
Ø w -0.5 min. ***** [mm]		32/42			50/55			60/75			70/87	
x [mm]	80	96	121	90.5	103.5	128.5	103	113	138	111	124	149
x1 [mm]	75.4	91.4	116.4	84.9	97.9	122.9	97.4	107.4	132.4	105.4	118.4	143.4
x2 +0.5/-0.4 [mm]	85	101	126	95.5	108.5	133.5	108	118	143	116	129	154
y [mm]		15			28			31			37.5	
<b>Flange with G1/4</b>												
<b>Single acting</b>												
Swing direction cw	<b>18831X4</b>			<b>18851X4</b>			<b>18861X4</b>			<b>18871X4</b>		
Swing direction ccw	<b>18832X4</b>			<b>18852X4</b>			<b>18862X4</b>			<b>18872X4</b>		
Weight, approx. [kg]	1.2			2.4			4.6			6.2		
<b>Double acting</b>												
Swing direction cw	<b>18931X4</b>	<b>18931X8</b>	<b>18931X9</b>	<b>18951X4</b>	<b>18951X8</b>	<b>18951X9</b>	<b>18961X4</b>	<b>18961X8</b>	<b>18961X9</b>	<b>18971X4</b>	<b>18971X8</b>	<b>18971X9</b>
Swing direction ccw	<b>18932X4</b>	<b>18932X8</b>	<b>18932X9</b>	<b>18952X4</b>	<b>18952X8</b>	<b>18952X9</b>	<b>18962X4</b>	<b>18962X8</b>	<b>18962X9</b>	<b>18972X4</b>	<b>18972X8</b>	<b>18972X9</b>
Weight, approx. [kg]	1.2	1.4	1.7	2.3	2.6	3.0	4.5	4.9	5.6	6.2	6.6	7.5
<b>Threaded body type</b>												
<b>Single acting</b>												
Swing direction cw	<b>18833X4</b>			<b>18853X4</b>			<b>18863X4</b>			<b>18873X4</b>		
Swing direction ccw	<b>18834X4</b>			<b>18854X4</b>			<b>18864X4</b>			<b>18874X4</b>		
Weight, approx. [kg]	1.0			2.0			4.2			5.6		
<b>Double acting</b>												
Swing direction cw	<b>18933X4</b>	<b>18933X8</b>	<b>18933X9</b>	<b>18953X4</b>	<b>18953X8</b>	<b>18953X9</b>	<b>18963X4</b>	<b>18963X8</b>	<b>18963X9</b>	<b>18973X4</b>	<b>18973X8</b>	<b>18973X9</b>
Swing direction ccw	<b>18934X4</b>	<b>18934X8</b>	<b>18934X9</b>	<b>18954X4</b>	<b>18954X8</b>	<b>18954X9</b>	<b>18964X4</b>	<b>18964X8</b>	<b>18964X9</b>	<b>18974X4</b>	<b>18974X8</b>	<b>18974X9</b>
Weight, approx. [kg]	1.0	1.2	1.4	1.9	2.2	2.6	3.9	4.3	5	5.6	6.0	6.9
<b>Flange with O-ring sealing</b>												
<b>Single acting</b>												
Swing direction cw	<b>18835X4</b>			<b>18855X4</b>			<b>18865X4</b>			<b>18875X4</b>		
Swing direction ccw	<b>18836X4</b>			<b>18856X4</b>			<b>18866X4</b>			<b>18876X4</b>		
Weight, approx. [kg]	1.2			2.4			4.6			6.2		
<b>Double acting</b>												
Swing direction cw	<b>18935X4</b>	<b>18935X8</b>	<b>18935X9</b>	<b>18955X4</b>	<b>18955X8</b>	<b>18955X9</b>	<b>18965X4</b>	<b>18965X8</b>	<b>18965X9</b>	<b>18975X4</b>	<b>18975X8</b>	<b>18975X9</b>
Swing direction ccw	<b>18936X4</b>	<b>18936X8</b>	<b>18936X9</b>	<b>18956X4</b>	<b>18956X8</b>	<b>18956X9</b>	<b>18966X4</b>	<b>18966X8</b>	<b>18966X9</b>	<b>18976X4</b>	<b>18976X8</b>	<b>18976X9</b>
Weight, approx. [kg]	1.2	1.4	1.7	2.4	2.6	3.0	4.5	4.9	5.6	6.2	6.6	7.5
<b>Spare parts</b>												
Metallic wiper**	<b>0341107</b>			<b>0341100</b>			<b>0341101</b>			<b>0341102</b>		
Spare nut / tightening torque	<b>3527014</b> / 30 Nm			<b>3527015</b> / 90 Nm			<b>3527048</b> / 160 Nm			<b>3527016</b> / 260 Nm		
O-ring 8x1.5	<b>3000343</b>			<b>3000343</b>			<b>3000343</b>			<b>3000343</b>		
<b>Swing angle</b>	<b>Key</b>			<b>Without swing angle (0°)</b>			<b>Key</b>					
<b>90°</b>	<b>18XX0X0</b>			Flange with G1/4			<b>18XX24X</b>					
<b>60°</b>	<b>18XX0X2</b>			Threaded-body type			<b>18XX44X</b>					
<b>45°</b>	<b>18XX0X3</b>			Flange with O-ring sealing			<b>18XX64X</b>					
<b>With metallic wiper**</b>	<b>189XXXM</b> (see also page 6)											

\* only single acting  
 \*\* only double acting  
 \*\*\* with clamping arm assembly 0354.004 +3 mm  
 \*\*\*\* Upper edge nut  
 \*\*\*\*\* without/with metallic wiper

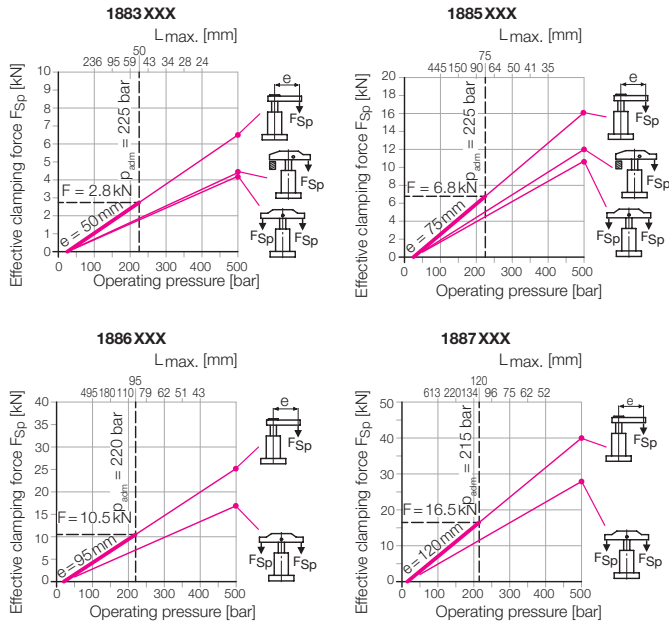
Available on request: • Other swing angles • FKM seals • Without overload protection

Operating conditions, tolerances and other data see data sheet A.0.100

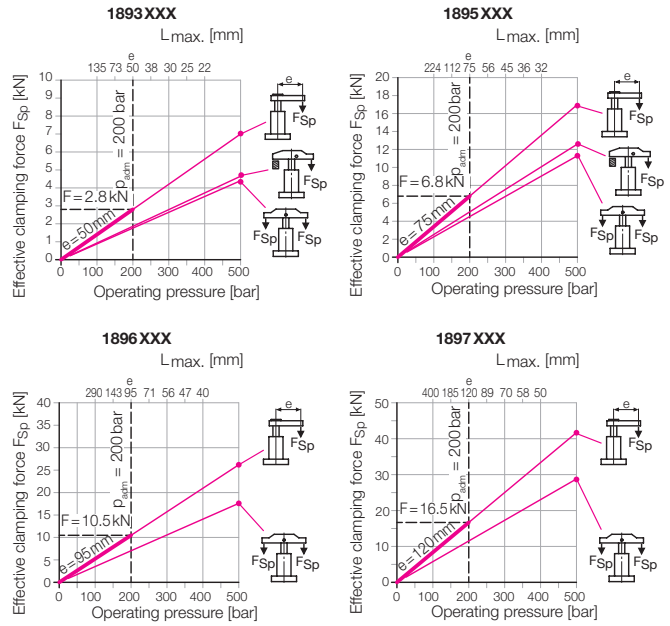
# Clamping Forces

## Effective clamping force as function of the operating pressure with accessory clamping arm (page 5)

### Single acting 188X\*



### Double acting 189X



\* ) In the case of single-acting swing clamps, the spring force has to be considered.

### Single-acting swing clamps

Effective clamping force

$$F_{Sp} = \frac{p - F}{A + (B \cdot L)} \leq F_{adm} \quad [\text{kN}]$$

Admissible clamping force \*

$$F_{adm} = \frac{C}{L} \quad [\text{kN}]$$

Admissible operating pressure

$$p_{adm} = \frac{D}{L} + E + F \quad [\text{bar}]$$

L = Clamping arm length [mm]  
p = Pressure [bar]

\*) With a desired clamping arm length L the clamping force must not exceed the admissible value.

The constants (A...F) for the 4 sizes are shown in the chart.

Constant	1883	1885	1886	1887
A	56.59	22.1	14.15	8.67
B	0.297	0.097	0.0514	0.0288
C	140	510	997.5	1980
D	7923	11273	14111	17162
E	41.54	49.7	51.47	57
F	25	25	20	15

### Example

Swing clamp single acting 1885104  
Accessory clamping arm e = 75 mm  
Desired special length L = 150 mm

1. Admissible clamping force

$$F_{adm} = \frac{C}{L} = \frac{510}{150} = 3.4 \text{ kN}$$

2. Admissible operating pressure

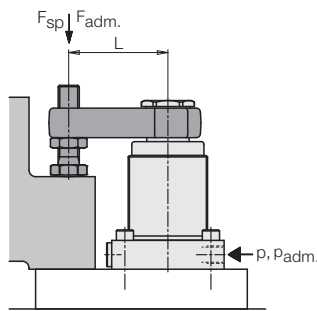
$$p_{adm} = \frac{D}{L} + E + F = \frac{11273}{150} + 49.7 + 25 = 150 \text{ bar}$$

Operating conditions, tolerances and other data see data sheet A 0.100

### Clamping force diagrams

Course of the effective clamping force for the most important accessories of clamping arms:

- Clamping arm complete (L = e)**  
The clamping force can be read off up to the maximum operating pressure. The clamping arm length L\_max in the grid of 50 bar only allows for a rough estimate. Exact values and the corresponding clamping forces can be calculated with the opposite formula.
- Clamping strap assembly complete**  
clamping force up to 500 bar readable.
- Double clamping arm complete**  
Clamping force up to 500 bar corresponds to half the pulling force of the swing clamp.



### Calculation of the clamping force

The clamping arm of a swing clamp generates a moment and thus a load acts on the piston guide. This additional friction force reduces the clamping force. The longer the clamping arm, the worse is the efficiency.

This has been considered in the opposite calculations. The constants were determined by measurements.

**Important!** The input of the variables must be made in the specified units.

### Double-acting swing clamps

Effective clamping force

$$F_{Sp} = \frac{p}{A + (B \cdot L)} \leq F_{adm} \quad [\text{kN}]$$

Admissible clamping force\*

$$F_{adm} = \frac{C}{L} \quad [\text{kN}]$$

Admissible operating pressure

$$p_{adm} = \frac{D}{L} + E \quad [\text{bar}]$$

L = Clamping arm length [mm]  
p = Pressure [bar]

\*) With a desired clamping arm length L the clamping force must not exceed the admissible value.

The constants (A...E) for the 4 sizes are shown in the chart.

Constant	1893	1895	1896	1897
A	56.59	22.1	14.15	8.67
B	0.297	0.097	0.0514	0.0288
C	140	510	997.5	1980
D	7923	11273	14111	17162
E	41.54	49.7	51.47	57

### Example

Swing clamp double acting 1895104  
Accessory clamping arm e = 75 mm  
Desired special length L = 150 mm

1. Admissible clamping force

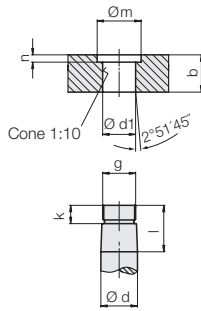
$$F_{adm} = \frac{C}{L} = \frac{510}{150} = 3.4 \text{ kN}$$

2. Admissible operating pressure

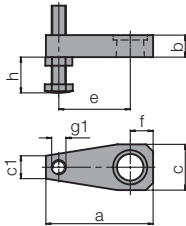
$$p_{adm} = \frac{D}{L} + E = \frac{11273}{150} + 49.7 = 125 \text{ bar}$$

## Accessory - Clamping Arm Admissible Flow Rate • Calculation

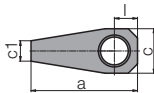
### Dimensions for special clamping arms



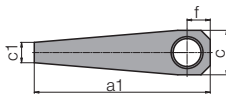
### Clamping arm with contact bolt (200 bar)



### Clamping arm without thread g1



### Clamping arm blank



Swing clamps		18X3	18X5	18X6	18X7
a	[mm]	75	115	140	178
a1	[mm]	125	190	235	298
b	[mm]	16	23	28	34
c	[mm]	32	48	60	78
c1	[mm]	16	22	28	40
Ø d f7	[mm]	20	32	40	50
Ø d1 +0.05	[mm]	19.85	31.85	39.85	49.85
e	[mm]	50	75	95	120
f	[mm]	16	25	30	40
g	[mm]	M18x1.5	M28x1.5	M35x1.5	M45x1.5
g1	[mm]	M10	M16	M16	M20
h min...max	[mm]	10...64	15...79	15...79	19...98
k	[mm]	10	12	12	13
l	[mm]	21	28	34	40
Ø m	[mm]	24	34	46	56
n	[mm]	4	5	5	6

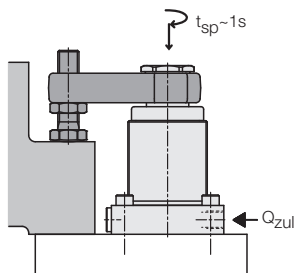
### Part no. Clamping arm

		0354 001	0354 003	0354 042	0354 005
<b>with contact bolt</b>					
Weight, approx.	[kg]	0.26	0.8	1.3	2.7
Moment of inertia of $J_e$	[kg·m <sup>2</sup> ]	0.00032	0.002295	0.005212	0.017184
<b>without thread g1</b>					
Weight, approx.	[kg]	0.18	0.65	1.85	2.3
Moment of inertia	[kg·m <sup>2</sup> ]	0.00018	0.00134	0.00387	0.01294
<b>Blank</b>					
Weight, approx.	[kg]	0.36	1.15	2.1	4.4
Moment of inertia	[kg·m <sup>2</sup> ]	0.00043	0.00798	0.02343	0.07863

Material: High alloy steel 1000... 1200 N/mm<sup>2</sup>

### Admissible flow rate\*

In the chart on page 3, the admissible flow rates for clamping and unclamping are specified. They only apply when using the accessory clamping arm with contact bolt. The swing clamps with a clamping stroke up to 15 mm thus have a clamping time of 1 second.



Longer special clamping arms are heavier and have a higher moment of inertia.

To avoid disengagement of the overload protection device, the flow rate must be reduced as per the following formula:

$$Q_L = Q_e \cdot \sqrt{\frac{J_e}{J_L}} \text{ cm}^3/\text{s}$$

$Q_L$  = Flow rate with special clamping arm

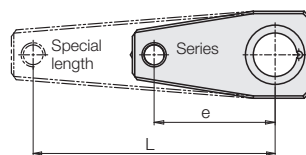
$Q_e$  = Flow rate as per chart (page 3)

$J_e$  = Moment of inertia of the clamping arm with contact bolt (see chart)

$J_L$  = Moment of inertia special clamping arm

### Simplified calculation

The special clamping arm is only a prolonged version of the accessory clamping arm with contact bolt, as shown below:



By means of the opposite diagram, the admissible flow rate can be determined, as the following example shows:

Swing clamp 1895 104

Special length  $L = 150 \text{ mm}$

As per chart above  $e = 75 \text{ mm}$

(as per chart on page 3)  $Q_{adm} = 10 \text{ cm}^3/\text{s}$

1. Extension factor  $x = \frac{L}{e} = \frac{150 \text{ mm}}{75 \text{ mm}} = 2$

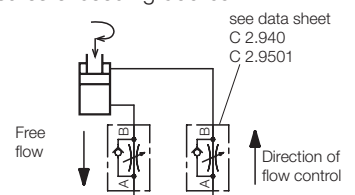
2. Flow rate factor as per diagram  $\rightarrow y = 0.35$

3. Max. flow rate  $Q_L = y \cdot Q_{adm} = 0.35 \cdot 10 \text{ cm}^3/\text{s} = 3.5 \text{ cm}^3/\text{s}$

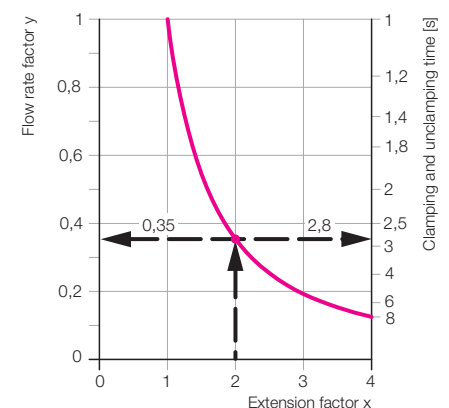
4. Min. clamping time as per diagram  $\rightarrow$  approx. 2.8 s

### Throttling of the flow rate

A flow rate throttling always has to be effected in the supply line to the swing clamp. This avoids a pressure intensification and thereby pressures exceeding 500 bar.



Adm. flow rate and clamping time as a function of the clamping arm extension



\* Only for vertical mounting position!

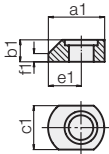
Operating conditions, tolerances and other data see data sheet A 0.100

## Accessory – Clamping Arm

### Clamping Arm Assembly • Double Clamping Arm • Flanged Nut • Wiper System

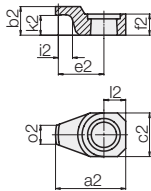
#### Clamping arm short

42CrMo4, max. 500 bar



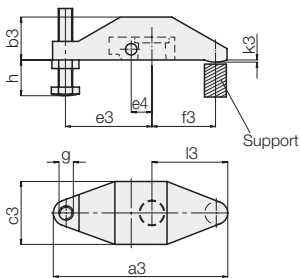
#### Cranked clamping arm

42CrMo4, max. 300 bar



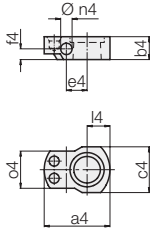
#### Clamping arm assembly complete with carrier

GGG 40, max. 500 bar



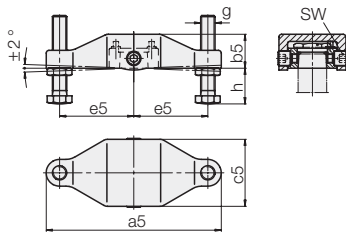
#### Carrier for clamping arm assembly

42CrMo4



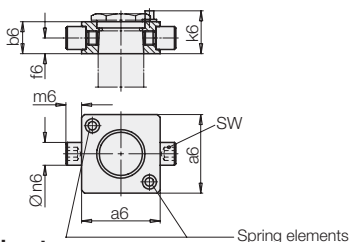
#### Double clamping arm complete with carrier

GGG 40, max. 500 bar

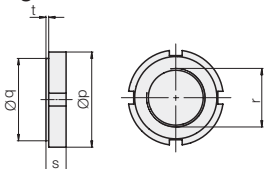


#### Carrier for double clamping arm

42CrMo4



#### Flanged nut



Swing clamps		18X3	18X5	18X6	18X7
a1	[mm]	41	61	76	90
a2	[mm]	51.5	76	100	123
a3	[mm]	122	185	-	-
a4	[mm]	46	59	82	90
a5	[mm]	138	196	216	236
a6 ±0.1	[mm]	43	55	63	77
b1	[mm]	16	23	28	34
b2	[mm]	21	28	34	40
b3	[mm]	30	45	-	-
b4	[mm]	16	23	28	34
b5	[mm]	28.5	38	47	56
b6	[mm]	16	23	28	34
c1	[mm]	32	48	60	78
c2	[mm]	32	46	66	75
c3	[mm]	44	58.5	-	-
c4	[mm]	32	40	58	68
c5	[mm]	59	75	85	105
e1	[mm]	25	37	45	52
e2	[mm]	33.5	50	64	82.5
e3	[mm]	60	83	-	-
e4	[mm]	14.5	21	28	33
e5	[mm]	60	83	92	100
f1	[mm]	6	6	11	14
f2	[mm]	15.5	22.5	28	34
f3	[mm]	45	75	-	-
f4	[mm]	7.5	13	17	21
f6	[mm]	7.5	11	15	17
g	[mm]	M10	M16	M16	M20
h min... max	[mm]	10...64	15...79	15...79	19...98
i2	[mm]	7	7	7	8
k2	[mm]	14.5	19	23	27
k3	[mm]	1.5	2	-	-
k6 **	[mm]	21.5	29	35	41
l2	[mm]	16	23	33	37.5
l3	[mm]	53	87	-	-
l4	[mm]	16	22	34	36
m6	[mm]	9	11	12	15
Øn4 H7	[mm]	8	10	12	14
Øn6 g6	[mm]	10	16	18	20
o2	[mm]	14	25	39	39
o4	[mm]	26	32	44.5	56
Øp	[mm]	68	90	115	130
Øq -0.2	[mm]	52	68	90	100
r	[mm]	M45x1.5	M60x1.5	M80x2	M90x2
s	[mm]	12	13	16	16
t	[mm]	3	4	5	5
SW	[mm]	5	8	8	8

#### Part no.

	3548 159	3548 165	3548 304	3548 163
<b>Clamping arm short</b>				
Weight, approx. [kg]	0.05	0.23	0.5	0.88
<b>Cranked clamping arm</b>				
Weight, approx. [kg]	0.11	0.3	0.84	1.3
<b>Clamping arm assembly complete</b>				
Weight, approx. [kg]	0.66	1.7		
<b>Carrier for clamping arm assembly</b>				
Weight, approx. [kg]	0.08	0.18	0.5	0.7
<b>Double clamping arm</b>				
Weight, approx. [kg]	0.9	2	3	5.3
<b>Carrier for double clamping arm*</b>				
Weight, approx. [kg]	0.21	0.46	0.67	1.4
<b>Flanged nut</b>				
Max. tightening torque [Nm]	250	500	1100	1400
Weight, approx. [kg]	0.15	0.25	0.4	0.6

\*) complete with threaded bolt and spring elements

\*\*) Height stop surface for spring elements

#### Wiper system

The standard FKM wiper has a high chemical resistance against most cooling and cutting fluids. The optional metallic wiper protects the FKM wiper against mechanical damage due to big or hot swarf.

It consists of a radially floating wiping disk and a retaining disk.

The metallic wiper can be delivered already mounted ("M") for double-acting swing clamps or as an accessory for retrofitting (see page 3).

#### Attention!

The metallic wiper is not suitable for dry machining or minimum quantity lubrication. Also in applications with very little grinding swarf, the standard FKM wiper has a better protection effect.

If there is any danger that small particles stick to the piston rod, the metallic wiper disk can also be replaced by a hard plastic disk.