



**ROEMHELD**  
HILMA ■ STARK



## Magnetic Clamping Systems

# M-TECS R

for rubber processing

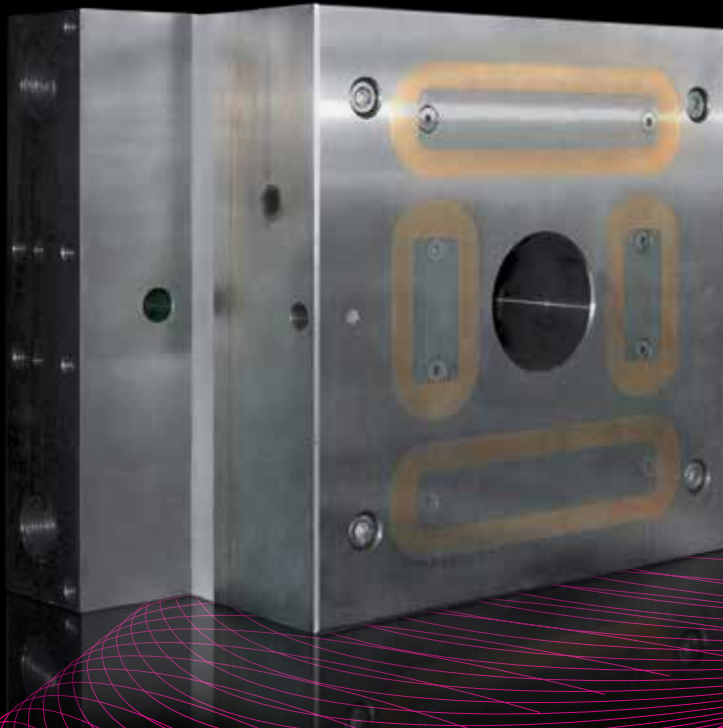
from

 **RIVI**  
MAGNETICS®  
*Innovative Clamping Technology*



# Rivi Magnetics® Magnetic Clamping Systems

## M-TECS R



## Quality and Experience

ROEMHELD stands for productive solutions in industrial production technology, clamping technology, assembly, and drive technology. Rivi Magnetics' innovative technology complements the portfolio in terms of magnetic clamping systems. Thanks to its strong research and development department, Rivi Magnetics has international patents that qualify it as an experienced professional in magnetic clamping technology.

# Customer benefit of magnetic clamping systems



**ROEMHELD**  
HILMA ■ STARK



## QUICK

Moulds are clamped  
in one second at the  
touch of a button

## PROFITABLE

Setup cost optimization  
by mould change  
in a few minutes only

## FLEXIBLE

Standardization  
of moulds no longer  
required

## ERGONOMIC

Safe mould handling  
with ease



## RELIABLE

Constant magnetic  
clamping force even in  
case of power failure

## SAFE

Various sensors monitor  
the entire clamping cycle



# RIVI MAGNETICS® M-TECS R for rubber processing



## *Technical data*

<b>Max. temperature</b>	<b>230 °C</b> (up to 240 °C on request)
<b>Specific magnetic force</b>	<b>18 kg/cm<sup>2</sup></b>
<b>Magn. penetration depth</b>	<b>15 – 20 mm</b>
<b>Plate thickness</b>	<b>min. 55 mm</b>

*Available for all machine sizes*



■ **Mechanical limit switch**  
*to identify the mould contact .....*



■ **Permanent coil monitoring**  
*signals minimum mould movement*

■ **Temperature sensor protects**  
*the magnetic clamping plates against overheating .....*



# Options



## HEATING AND INSULATION PLATES

- Heating and clamping in a single process
- Easy change and clamping of the moulds in the heated condition
- Reduced risk of injury during a mould change

## ROLLER OR BALL BARS

- Easy mould change without any problems
- No damage to the surface when changing moulds



## VACUUM VERSION

A vacuum-sealed version of the coils and cable exits for the highest quality standards in production

# Electric control M1C / M2C



**ROEMHELD**  
HILMA ■ STARK

Highest safety standards  
as per EN201 and EN289

Control via remote control  
or machine panel

Simple error diagnosis  
by readout

Easy and safe operation

IP54 splash-proof

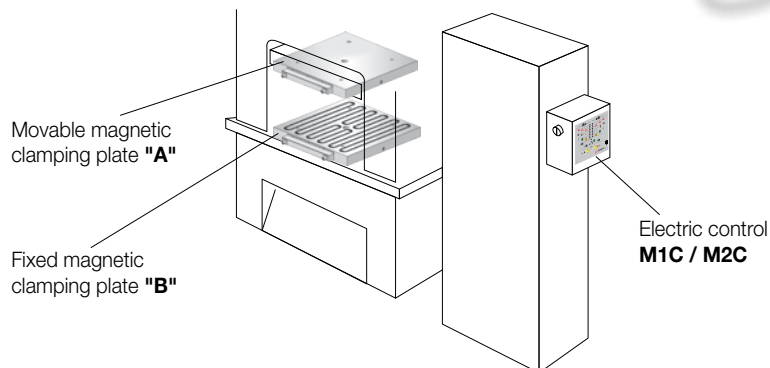
Error code indication on the LCD display

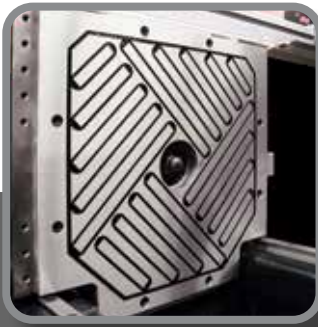
Painting in preferred colour

Integration via  
EUROMAP interface

Exchangeable master module  
for easy maintenance

Key switch protects  
against unauthorized operation



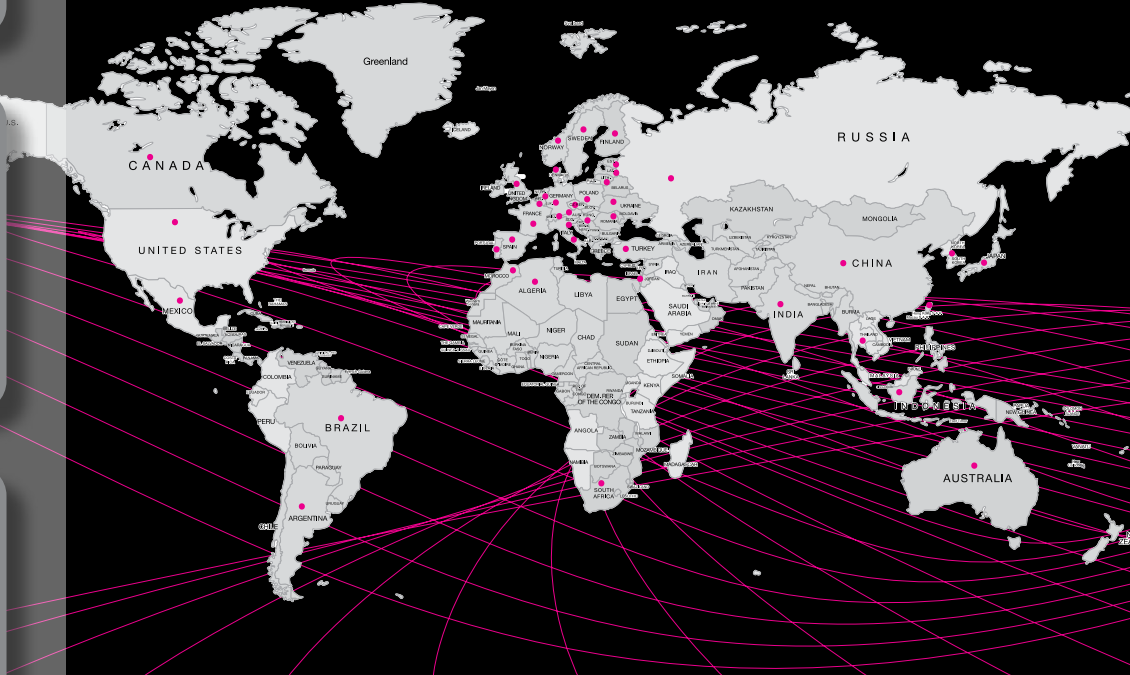


**ROEMHELD**  
HILMA ■ STARK



[www.roemheld-group.com](http://www.roemheld-group.com)

### Global competence



### Magnetic Clamping Systems



Rivi Magnetics® Magnetic clamping systems  
M-TECS also available for:

- plastics processing
- metal forming

### Hilma-Römheld GmbH

Auf der Landeskrone 2 · 57234 Wilnsdorf-Wilden, Germany  
Tel.: +49 27 33 / 281-0 · Fax: +49 27 33 / 281-169  
E-mail: [info@hilma.de](mailto:info@hilma.de) · [www.roemheld-group.com](http://www.roemheld-group.com)