



**Multi-Coupling**

**depressurised coupling and coupling against system pressure**  
**max. operating pressure 300 bar**



**Coupling, two passages**

**Application**

The multi-coupling for installation in plates is particularly suitable for use in modern machining centres and special machines (e.g. indexing machines). They are provided for line connection between machine table and pallet or pallet and fixture. The supplied fluids are pressurised oil, compressed air or vacuum.

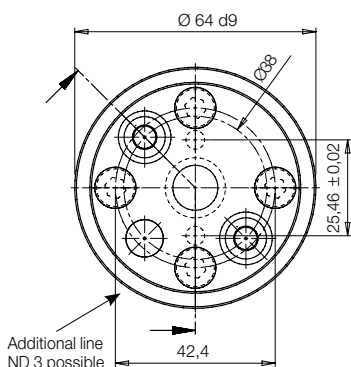
Due to their reduced mounting conditions, several coupling points can be realized by multi-couplings in a limited space. The coupling elements are usually integrated in the centre of the machine table / turntable / loading station / pallet.

**Description**

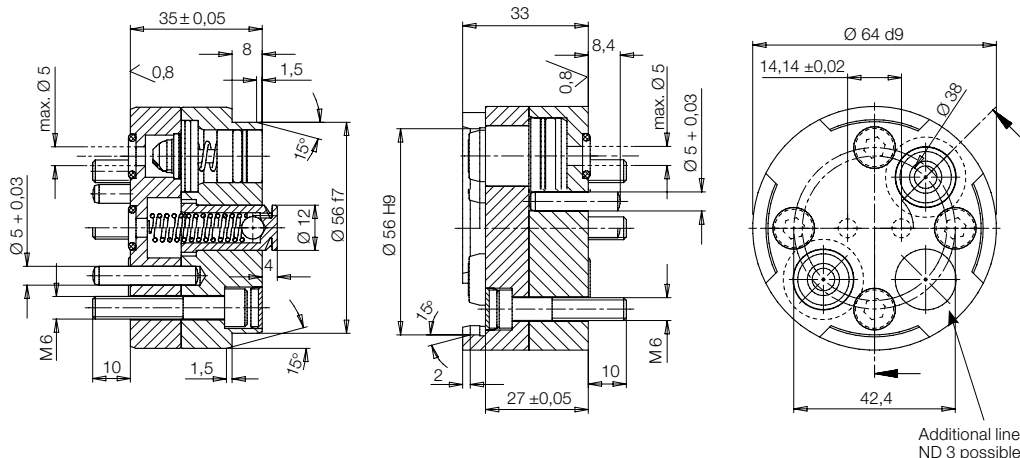
The multi-coupling is a modification of the threaded coupling elements as per data sheet F 9.430. It comprises of two components, the nipple carrier and the coupling carrier. The advantage of the coupling carrier is the fact that its face is flush in uncoupled condition, there-by it can be easily cleaned by means of the integrated blast air system. With these coupling elements coupling or uncoupling of lines can be effected against system pressure or depressurised.

The coupling and nipple carrier can be equipped or retrofitted by an additional line (ND 3) for the passage of air, water or hydraulic oil (individual coupling elements see data sheet F 9.428).

**Coupling carrier**



**Nipple carrier**



**Important note**

During coupling and uncoupling there are axial coupling forces due to the effective piston areas. These have to be compensated by corresponding measures as e.g. the weight of the pallet or the fixture or axial locking of the pallet.

**Coupling force  $F[N] = 15.4 \times p [\text{bar}] \times n$**

**n** = Number of the pressurised lines in coupled condition

Special versions on request (see page 3)

Operating conditions, tolerances and other data see data sheet A 0.100.

Version „complete FKM“ available on request!

**Technical data**

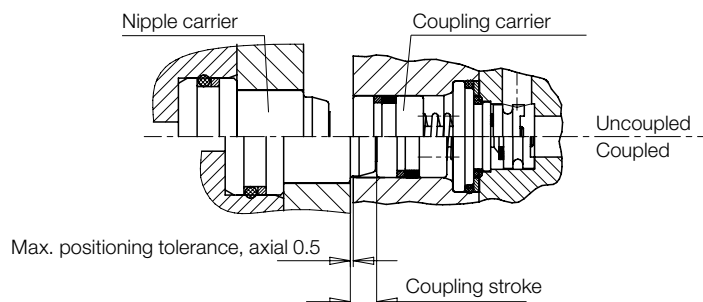
ND	5
Max. operating pressure [bar]	300
Max. positioning tolerance, axial [mm]	+ 0.5
Max. positioning tolerance, radial [mm]	± 0.15
Coupling stroke [mm]	4.5

**For exterior centering use a dowel pin only**

**Part no.**

	<b>Coupling carrier</b>	<b>Nipple carrier</b>
Depressurised coupling	<b>0460843</b>	<b>0460844</b>
Coupling against pressure	<b>0460821</b>	<b>0460822</b>

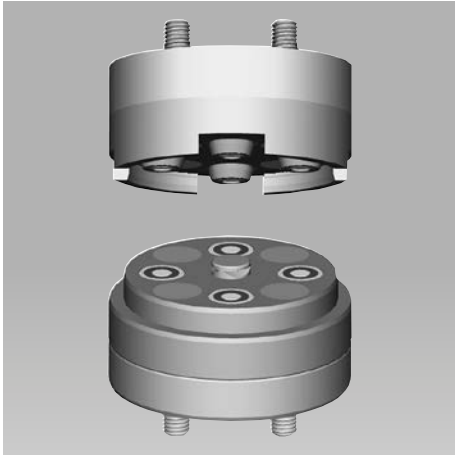
**Coupling situation**



**Application example**



## Coupling, 4 passages ND 5 and ND 8

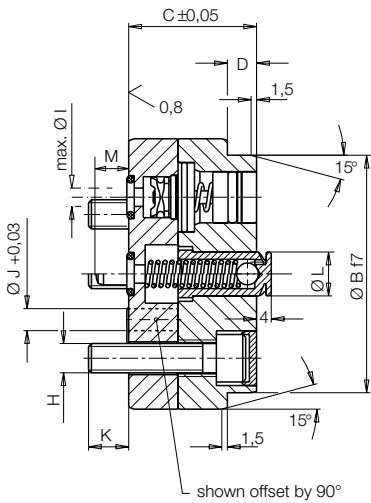
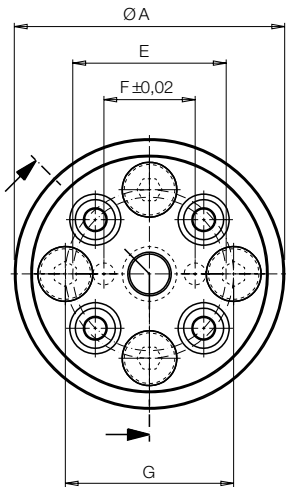


Element		Coupling carrier	Nipple carrier	Coupling carrier	Nippelträger
NW		5	5	8	8
Ø A	[mm]	74 d9	74 d9	105 f7	105 f7
Ø B	[mm]	65	65	96	96
C	[mm]	35±0.05	27±0.05	54-0.1	31-0.1
D	[mm]	8	33	12.5	43
E	[mm]	42	42	62	62
F	[mm]	25	25	44	44
G	[mm]	46	46	72	73
H	[mm]	M8	M8	M10	M10
Ø I	[mm]	5	5	8	8
Ø J	[mm]	6	6	6	6
K	[mm]	11	11	11	14
Ø L	[mm]	12	-	25	-
M	[mm]	10	10	12	8

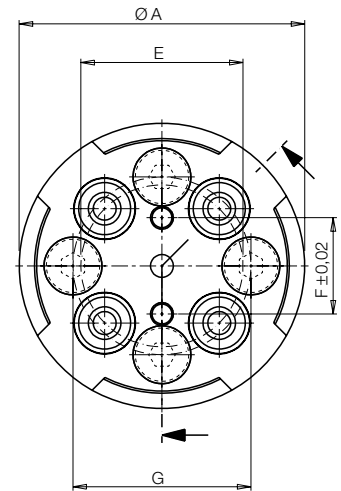
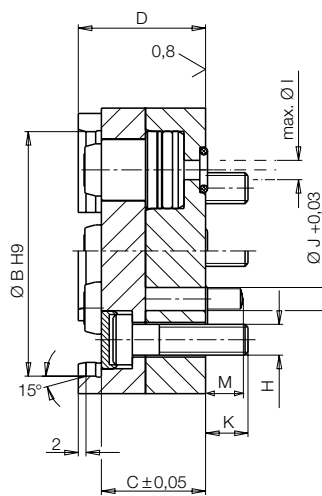
  

Part no.				
Only depressurised coupling	<b>0460717</b>	<b>0460718</b>	<b>0460891</b>	<b>0460892</b>
Coupling against pressure	<b>0460720</b>	<b>0460721</b>	<b>0460749</b>	<b>0460750</b>

**Coupling carrier**



**Nipple carrier**



**For exterior centering use a dowel pin only**

**Technical data**

ND		5	8
Max. operating pressure	[bar]	300	300
Max. positioning tolerance, axial	[mm]	+0.5	+0.5
Max. positioning tolerance, radial	[mm]	± 0.15	± 0.15
Coupling stroke	[mm]	4.5	7.4

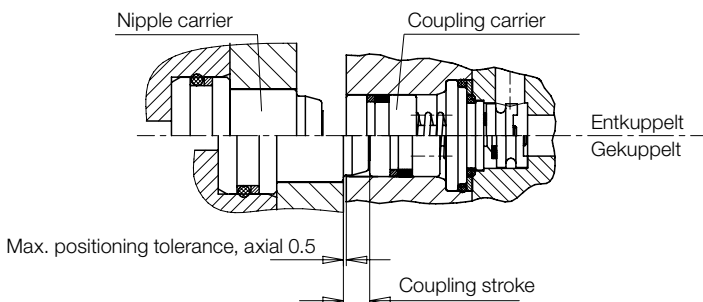
**Important note**

During coupling and uncoupling there are axial coupling forces due to the effective piston areas: these have to be compensated by corresponding measures (as e.g. weight of the pallet or the fixture or axial locking of the pallet).

**Coupling force ND 5:  $F[N] = 15.4 \times p [\text{bar}] \times n$**   
**Coupling force ND 8:  $F[N] = 28.4 \times p [\text{bar}] \times n$**

**n** = Number of the pressurised lines in coupled condition

**Coupling situation**

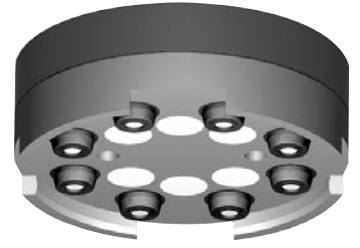


**Application example**





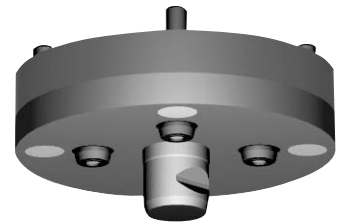
Coupling carrier 12 passages ND 5 with recessible cleaning jet (without base plate)



Coupling and nipple carrier 8 passages ND 5 with recessible cleaning jet



Coupling carrier 6 passages ND 5 with recessible cleaning jet



Coupling and nipple carrier 4 passages ND 5 with locking (coupling against pressure possible)

The size of the pallet diameter depends on the number of „pressurized“ coupling elements and the corresponding pressure. (Size and number of the fixing screws.)