



## High-Pressure Filter

Made of stainless steel and steel,  
max. operating pressure 350 and 500 bar

### Description

Filter elements are used to protect hydraulic elements against contaminations.

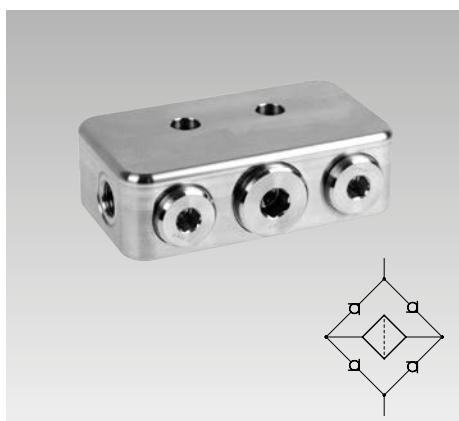
They are installed e.g. in front of valves and intensifiers and avoid the penetration of swarf and contaminations. The safety of functioning as well as the life are considerably increased.

Up to their complete clogging all filters are pressure stable up to the max. operating pressure and due to their stainless steel version they can be used also for water and other liquids as e.g. cooling lubricants (except 3887 030).

### Important note

When using these high-pressure filters (except 3887 086 and 3887 030) pay attention to the permitted flow direction, otherwise the filter element can be damaged (see example page 4).

### High-pressure filter with rectifier function



### Advantages

- Suitable for large flow rates
- Up to 350 bar operating pressure
- Filter insert can be cleaned
- Simple exchange of the filter insert without dismounting the element
- Connection via fittings or drilled channels
- Flow direction variable

### Technical data

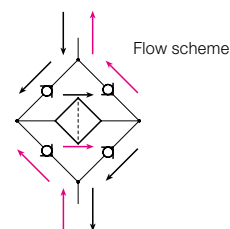
Max. operating pressure	350 bar
Filter capacity	10 µm
Filter material	stainless steel
Filter body material	stainless steel
<b>Part no.</b>	<b>3887 086</b>

### Description

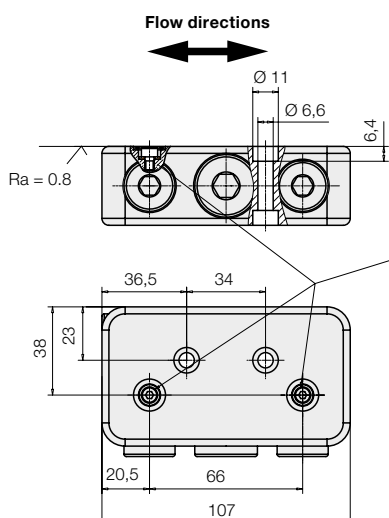
This new high-pressure filter with rectifier function has been designed to protect high-quality hydraulic components.

With the unique rectifier function this filter is perfect for all systems where operating stroke and return stroke are effected through one line (e.g. clamping and unclamping line in a hydraulic fixture).

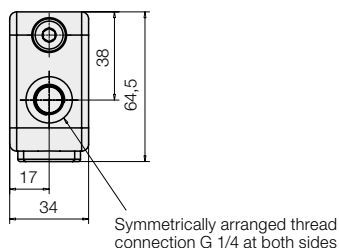
The filter element is flown through always in one direction during the operating stroke as well as during the return stroke. This implies safe removal of contaminations and thereby optimum protection of high-quality components.



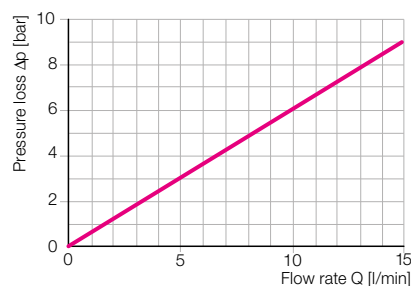
### Dimensions



For manifold mounting remove socket head cap screws and sealing rings. Screw in two plugs G 1/4 (Part no. 3300821). (Not included in the delivery).  
The two O-rings 10x2 (Part no. 3000347) are not included in the delivery.



### Flow curve



These very long-life filter elements can be cleaned. There are no high follow-up costs. Due to its compact design this filter can be mounted in nearly every system and is also perfectly suitable for retrofitting.

The filter can be integrated in the hydraulic circuit via fittings and tubes or drilled channels and O-ring connection.

The filter insert can be taken out at the side and be cleaned without opening the hydraulic circuit.

### Spare part

Filter insert, special steel, 10 µm

**Part no.** **3887071**

### Accessories

Screw plug G 1/4

**Part no.** **3300821**

O-ring 10x2 for manifold mounting

**Part no.** **3000347**

## High-pressure filter made of stainless steel

max. operating pressure 350 bar

### High-pressure filter



#### Advantages

- Suitable for large flow rates
- Up to 350 bar operating pressure
- Filter insert can be cleaned

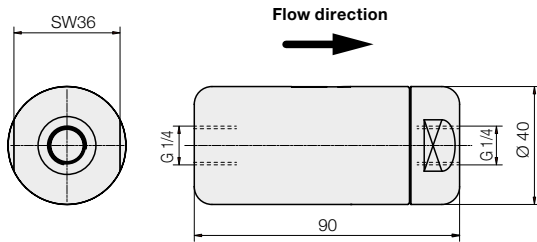
#### Technical data

Max. operating pressure	350 bar
Filter capacity	10 µm
Filter capacity	stainless steel
Filter body material	stainless steel
<b>Part no.</b>	<b>3887087</b>

#### Spare part

Filter insert, stainless steel, 10 µm	
<b>Part no.</b>	<b>3887088</b>

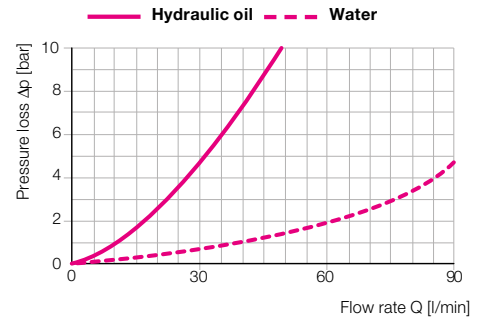
### Dimensions



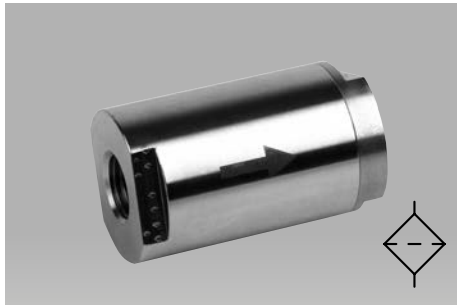
#### Important note!

In the case of flow in both directions pay attention to the circuit example on page 4!

### Flow curve



### High-pressure filter, compact



#### Advantages

- Compact design for use in limited space
- Up to 350 bar operating pressure
- Filter insert can be cleaned

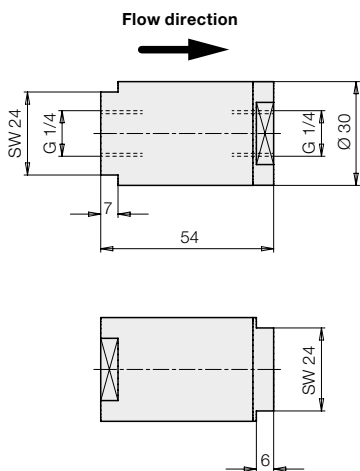
#### Technical data

Max. operating pressure	350 bar
Filter capacity	10 µm
Filter material	stainless steel
Filter body material	stainless steel
<b>Part no.</b>	<b>3887067</b>

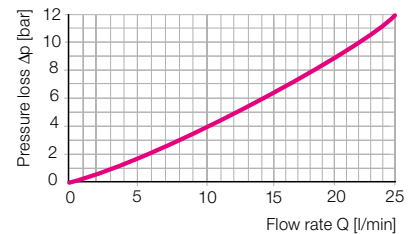
#### Spare part

Filter insert, stainless steel, 10 µm	
<b>Part no.</b>	<b>3887071</b>

### Dimensions



### Flow curve



#### Important note!

In the case of flow in both directions pay attention to the circuit example on page 4!

## High-pressure plug-in filter made of stainless steel max. operating pressure 350 bar

### High-pressure plug-in filter



#### Advantages

- Minimum dimensions
- For installation in drilled channels and plates, thereby direct protection of hydraulic components

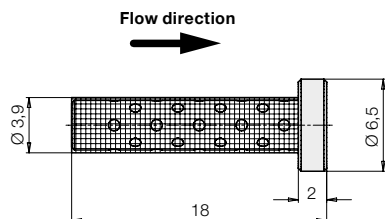
#### Technical data

Max. operating pressure	350 bar
Max. flow rate	3 l/min
Filter capacity	10 µm
Filter material	stainless steel
Filter body material	stainless steel
<b>Part no.</b>	<b>3887066</b>

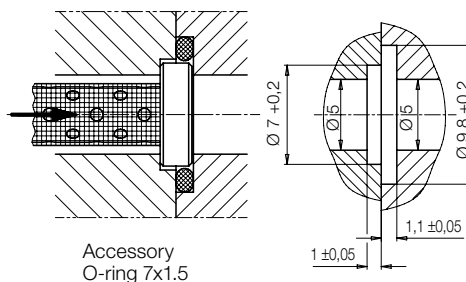
#### Accessories

O-ring 7x1.5	
<b>Part no.</b>	<b>3000342</b>

#### Dimensions

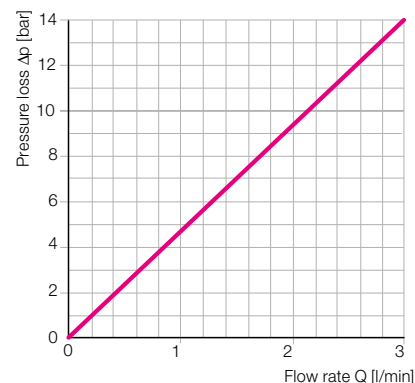


#### Mounting dimensions



Accessory  
O-ring 7x1.5

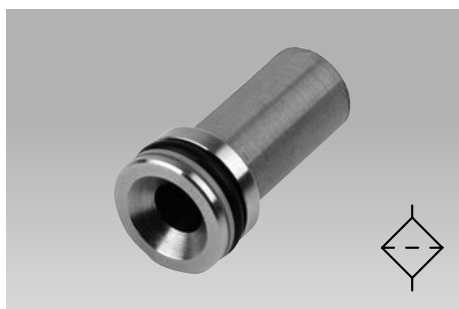
#### Flow curve



#### Important note!

In the case of flow in both directions pay attention to the circuit example on page 4!

### High-pressure plug-in filter



#### Advantages

- Compact dimensions
- For installation in drilled channels and plates, thereby direct protection of hydraulic components

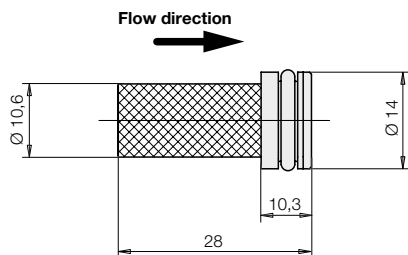
#### Technical data

Max. operating pressure	350 bar
Filter capacity	10 µm
Filter material	stainless steel
Filter body material	stainless steel
<b>Part no.</b>	<b>3887071</b>

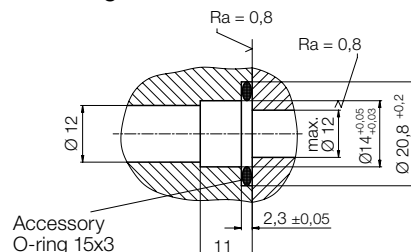
#### Accessories

O-ring 15x3	
<b>Part no.</b>	<b>3002017</b>

#### Dimensions

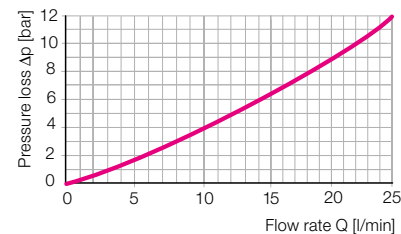


#### Mounting dimensions



Accessory  
O-ring 15x3

#### Flow curve



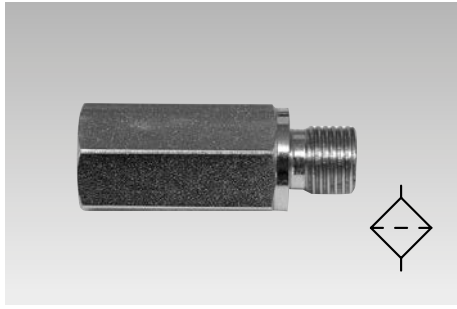
#### Important note!

In the case of flow in both directions pay attention to the circuit example on page 4!

# High-pressure screw-in filter made of steel

max. operating pressure 500 bar

## High-pressure screw-in filter



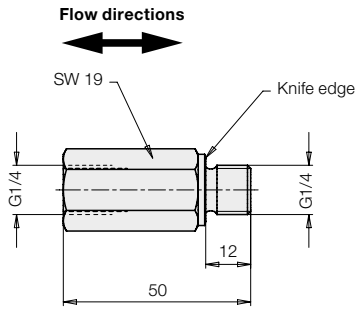
### Advantages

- For installation in front of couplings
- For protection against rough swarf
- Up to 500 bar operating pressure
- Flow direction variable

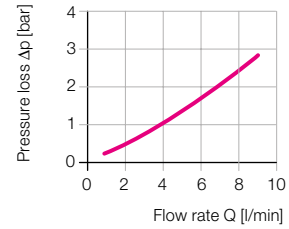
### Technical data

Max. operating pressure	500 bar
Filter capacity	100 µm
Filter material	steel
Filter body material	steel, galvanized
<b>Part no.</b>	<b>3887 030</b>

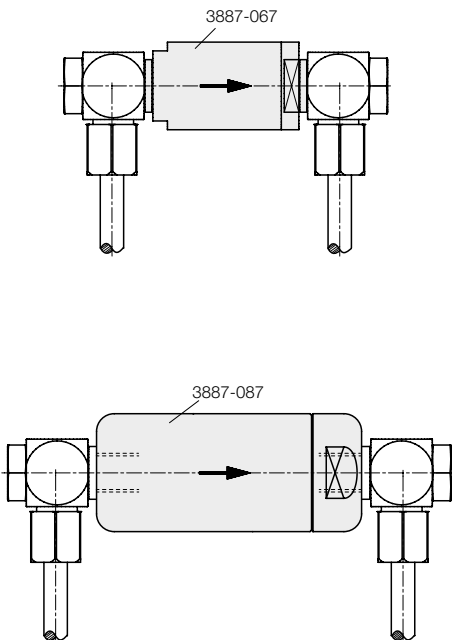
### Dimensions



### Flow curve



### Installation examples with swivel banjo couplings for easy change of the filter insert



### Circuit example for a filter with only one permitted flow direction

