



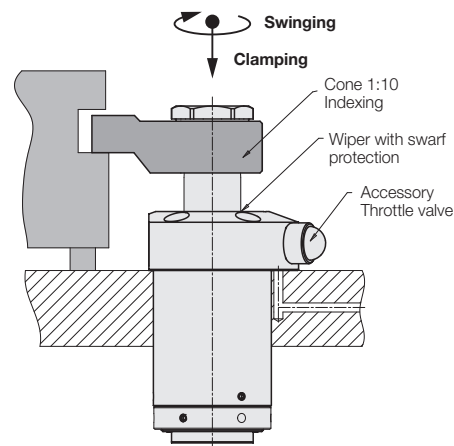
Swing clamps without swing stroke

top flange type, reinforced swing mechanism, double acting, max. operating pressure 250 bar

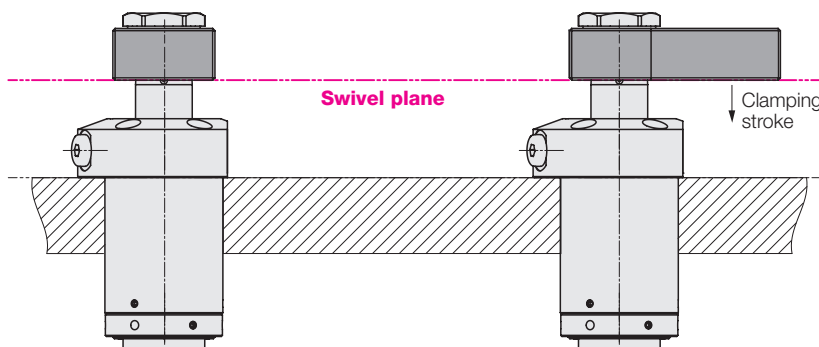


Advantages

- 3 sizes available
- Compact design partially recessible
- Pipe thread or drilled channels
- Extremely short clamping and unclamping times
- Accessory throttle valve, screw-in
- Indexing of clamping arm
- Piston optional with pendulum eye or fork head
- Wiper with swarf protection
- Swinging in into narrow recesses
- Radial anti-rotation device in the clamping stroke
- Swing direction, swing angle as well as clamping point and unclamping position can be ordered by product code



Swinging without axial swing stroke



Application

Hydraulic swing clamps are used for clamping of workpieces, when it is essential to keep the clamping area free of straps and clamping components for unrestricted workpiece loading and unloading.

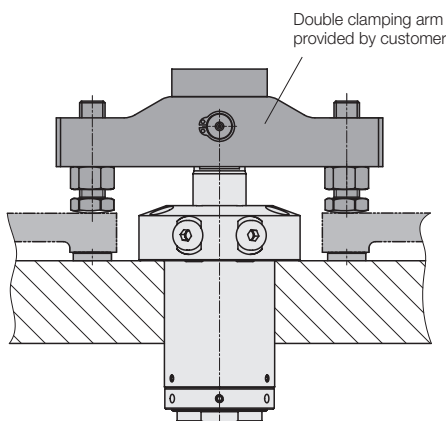
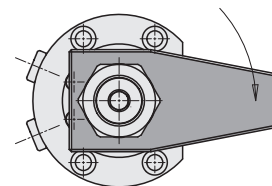
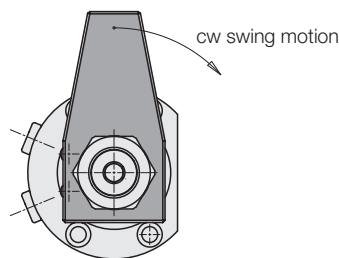
Using this version without axial swing stroke, the clamping arm swings in one level and thereby allows the clamping in ribs or recesses that are only slightly higher than the clamping arm.

With a reinforced swing mechanism, these swing clamps are particularly suitable for:

- Fully automatic manufacturing systems with short cycle times
- Clamping fixtures with die change by handling systems
- Transfer lines
- Test systems for motors, gears and axes
- Multiple clamping fixtures through use of double clamping arms

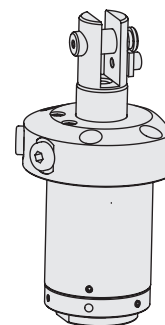
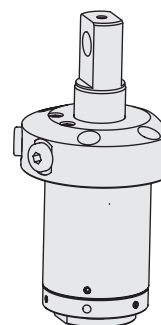
Function

To clamp in narrow recesses, the piston must not make any axial movement when the clamping arm is swivelled. The "swinging" and "clamping" functions are therefore precisely separated by a two-part piston.



Pendulum eye

Fork head



Radial anti-rotation device in the clamping stroke

With swivelling clamping devices, workpieces can also be machined overhead. In the event of a sudden drop in clamping pressure, the radial anti-rotation device prevents the clamping arm from swivelling back.

The workpiece is then no longer clamped, but cannot fall.

Double clamping arm

This allows space-saving clamping of workpieces in multiple clamping fixtures.

The clamping force per clamping point is then exactly half the piston pull force.

Piston rods with pendulum eyes and fork heads are available so that optimally fitting double clamping arms can be attached.