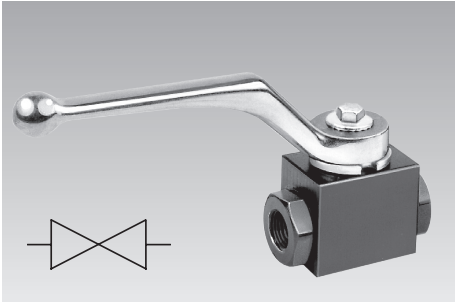
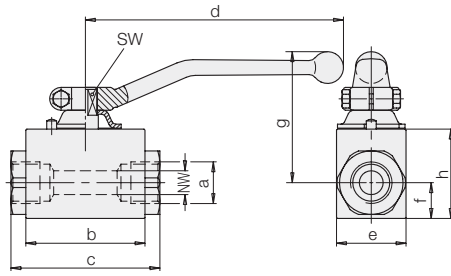




**High-Pressure Shut-Off Valves
Flow Control Valves**



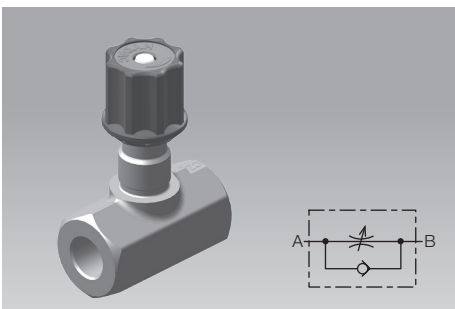
High-pressure shut-off valve
Max. operating pressure 500 bar



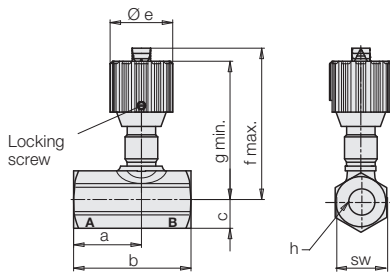
Spare operating lever for 2944002
Part no. steel 3540317
Part no. alu 3540318

Temperature range -20... +60 °C
Hermetically sealing

ND	[mm]	6	12
a		G 1/4	G 1/2
b	[mm]	37	60
c	[mm]	50	75
d	[mm]	105	130
e	[mm]	26	35
f	[mm]	13	18
g	[mm]	57	66
h	[mm]	32	45
SW	[mm]	9	10
Weight	[kg]	0.3	0.7
Part no.		2944002	2945000

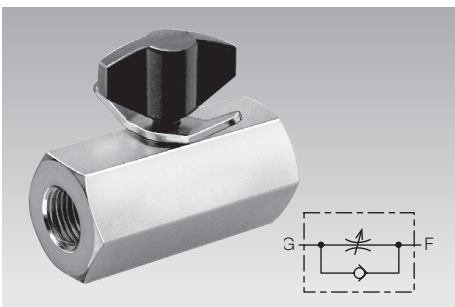
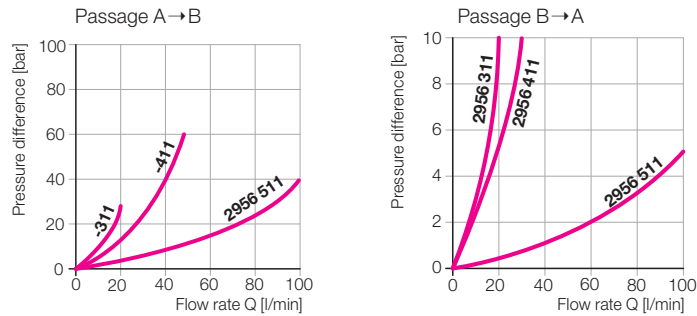


Flow control valve
Max. operating pressure 350 bar

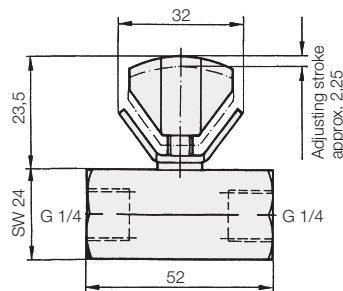


NG	[mm]	6	8	12
a	[mm]	28.8	34	44
b	[mm]	45	55	73
c	[mm]	9	14.2	20
sw	[mm]	16	25	35
Ø e	[mm]	25.2	30.5	38
f max.	[mm]	57	70.4	89.2
g min.	[mm]	52.9	64.3	82.3
h		G 1/8	G 1/4	G 1/2
Weight	[kg]	0.1	0.28	0.65
Part no.		2956311	2956411	2956511

Δ p-Q curves for kinematic viscosity of 53x10⁻⁶ m²/s, throttle totally opened



Flow control valve
Max. operating pressure 500 bar



Weight [kg]	0.36
Part no.	6355108

Δ p-Q curves for kinematic viscosity of 36x10⁻⁶ m²/s, throttle totally opened

