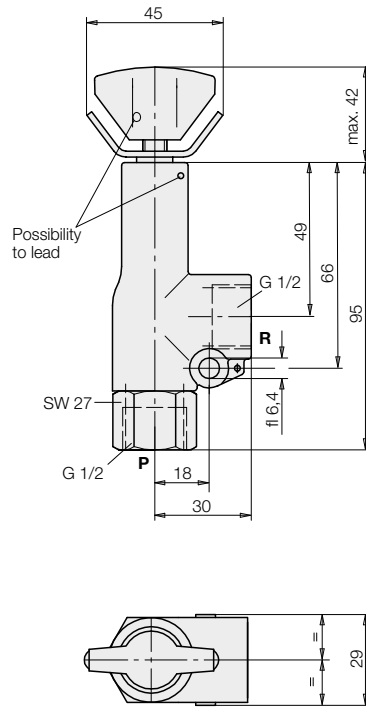




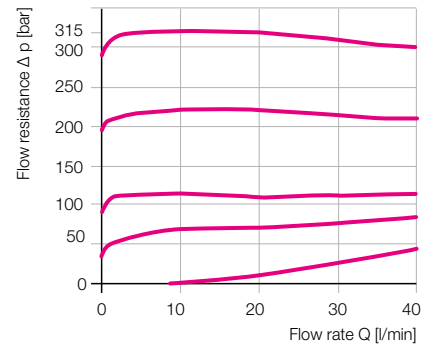
Pressure Relief Valves
max. operating pressure 500 bar



Pipe thread



Δ p-Q characteristic curve



Oil viscosity during measurement 50 mm²/s

Pressure relief valve

Protection against exceeding the max. operating pressure of the fixture (safety valve) or limiting of working pressures.

Hydraulic characteristics

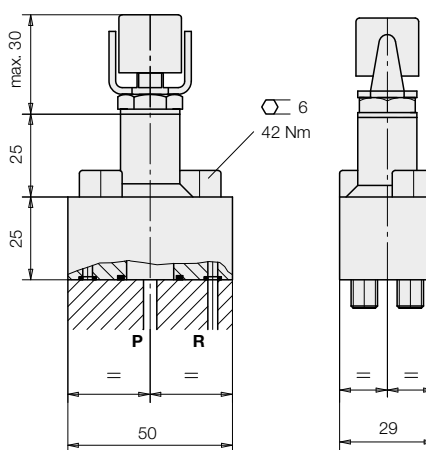
Range of adjustment	[bar]	0...500
Oil temperature	[°C]	-25...+80
Max. flow rate	[l/min]	40
Max. operating pressure		
Port P	[bar]	500
Port R	[bar]	20

Type	poppet valve, directly controlled
Type of mounting	installation in line
Port size	G 1/2
Weight, approx.	0.3 kg

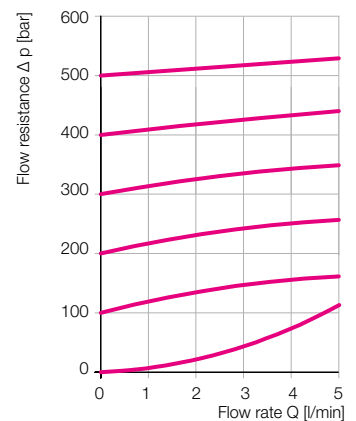
Part no.	2952521
Max. operating pressure	
Ports P and R	[bar]
Part no.	2952525



Manifold-mounting connection

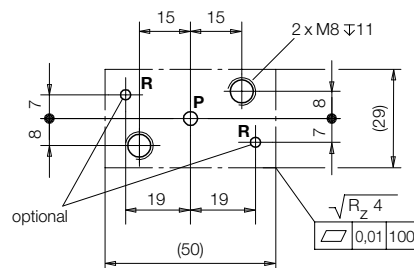


Δ p-Q characteristic curve



Type	poppet valve, directly controlled
Type of mounting	flange type
Port size	ND 3
Weight, approx.	0.3 kg
Connection	O-ring
P (Ø4)	17.12 x 2.62 NBR 90 Sh
R (2 x Ø3)	4.47 x 1.78 NBR 90 Sh

Connecting scheme



Hydraulic characteristics

Range of adjustment	[bar]	20...500
Oil temperature	[°C]	-25...+80
Max. flow rate	[l/min]	5
Max. operating pressure		
Port P	[bar]	500
Port R	[bar]	400

O-rings and screws are included in the delivery!

Part no.	2952010
-----------------	----------------