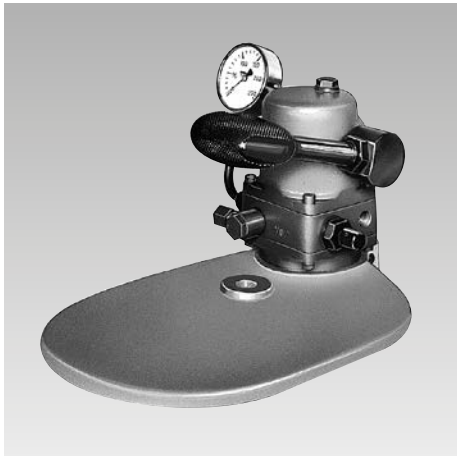




Hydraulic Pump
manually operated
max. operating pressure 100, 200 and 500 bar



Type with foot lever, base and pressure gauge
In connection with our clamping elements, workpieces can be clamped economically with this clamping pump.

Furthermore, this pump can be used for lifting loads, adjusting and clamping tables, as well as for other operating processes.

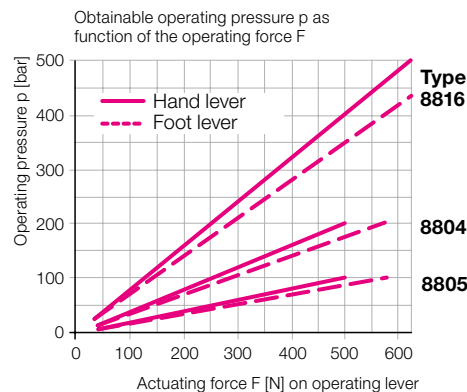
The particular advantages of this pump are:

- Choice of hand or foot operation
- Pumping and releasing with the same lever
- Continuously adjustable pressure relief valve
- Metallic seal on pump piston, thereby nearly wear-free
- Compact, self-contained design.

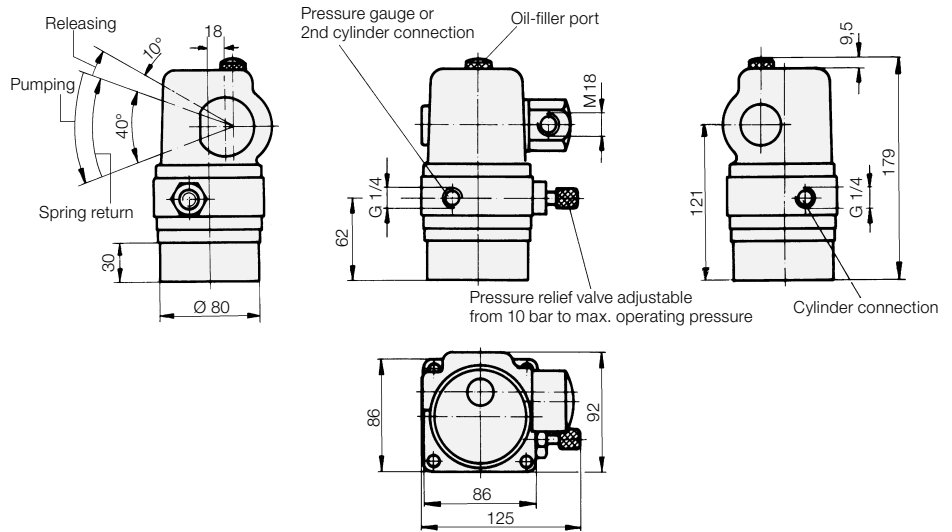
Delivery without accessories.

Hydraulic lifting pumps with safety hand or foot lever are assembled and ready for operation.

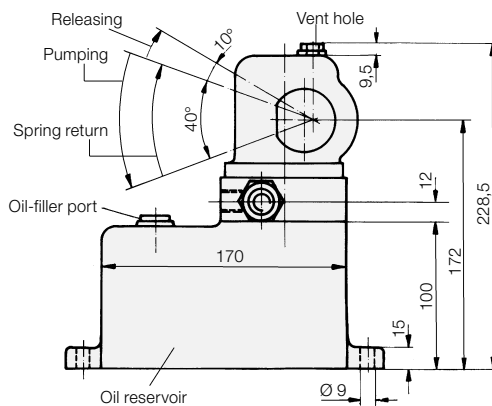
Accessory see page 2.



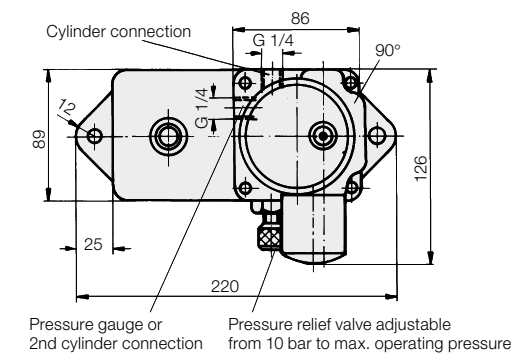
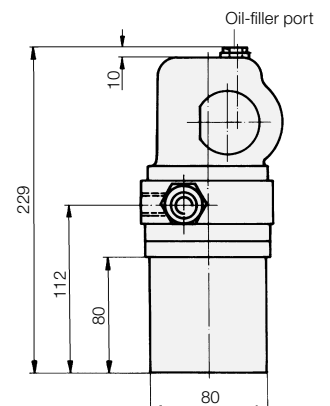
Types 8804006, 8805006, 8816006



Types 8806006 and 8807006



Type 8808006



Included in the delivery of all hydraulic pumps:

- 1 tube male stud coupling D8L or D8S with sieve for swarf protection.
- 1 swivel banjo coupling DSVK8L or SVH8SR with sieve for swarf protection.

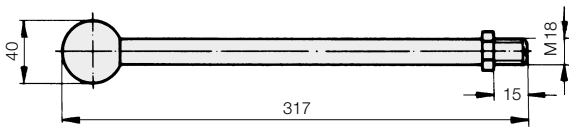
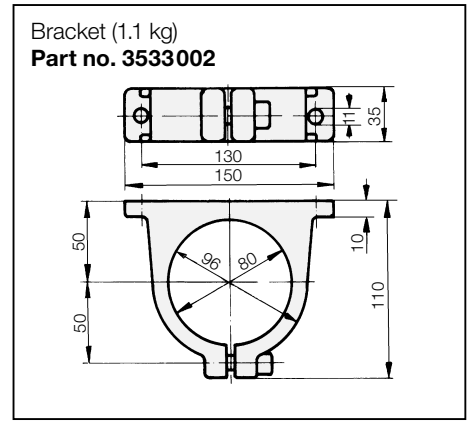
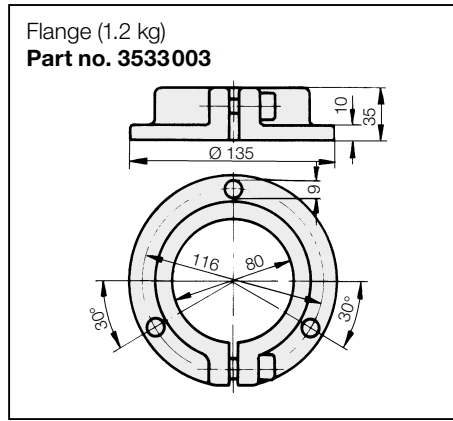
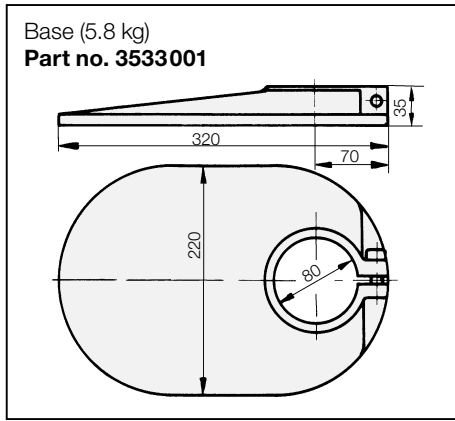
Max. operating pressure	[bar]	200	100	500	100	200	200
Oil volume	[cm ³]	300	300	300	970	970	400
Available oil volume	[cm ³]	150	150	150	750	750	250
Displacement per stroke	[cm ³]	4	8	2	8	4	4
Weight	[kg]	6.1	6.1	6.1	9.5	9.5	6.4
Part no. (without accessory)		8804006	8805006	8816006	8806006	8807006	8808006

Accessories

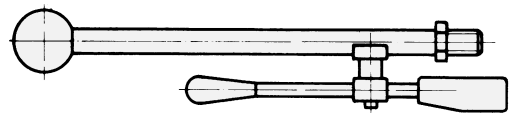
The following accessories with connecting fittings for the hydraulic pump must be ordered separately:

For pump type	8804006	8805006	8816006	8806006	8807006	8808006
Base plate	Part no. 3533001	3533001	3533001	-	-	3533001
Bracket	Part no. 3533002	3533002	3533002	-	-	3533002
Flange	Part no. 3533003	3533003	3533003	-	-	3533003
Foot lever	Part no. 0990102	0990102	0990102	0990102	0990102	0990102
Hand lever	Part no. 0990103	0990103	0990103	0990103	0990103	0990103
Pump unit with safety hand lever	Part no. 8804026	8805026	8816026	8806026	8807026	8808026
Pump unit with safety foot lever	Part no. 8804016	8805016	8816016	8806016	8807016	8808016
Pressure gauge with 90° elbow 0-250 bar	Part no. 9811015	9811015	-	9811015	9811015	9811015
Pressure gauge with 90° elbow 0-600 bar	Part no. -	-	9811017	-	-	-
Hydraulic oil HLP 32, 1l container	Part no. 9895001	9895001	9895001	9895001	9895001	9895001

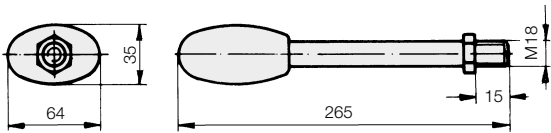
High-pressure hose see data sheet F 9.361



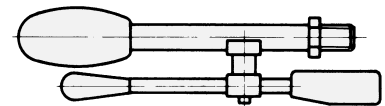
Hand lever
Part no. 0990103



Safety hand lever *



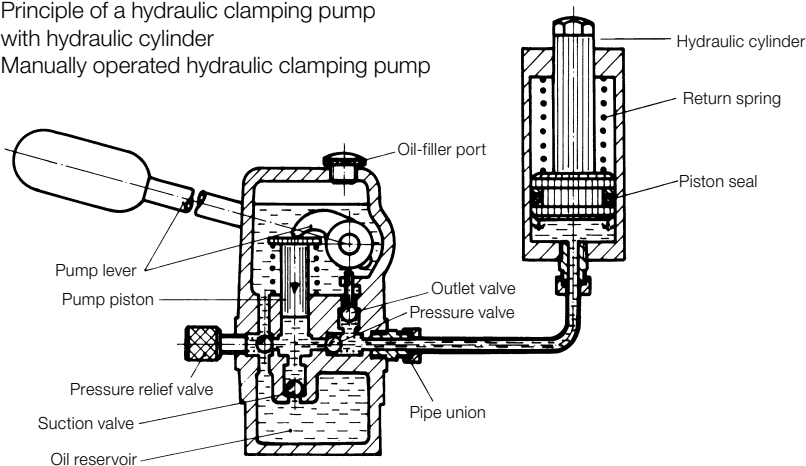
Foot lever
Part no. 0990102



Safety foot lever *

* Delivery only together with hydraulic pump (see table)

Principle of a hydraulic clamping pump with hydraulic cylinder
Manually operated hydraulic clamping pump



Example for ordering

Hydraulic clamping pump with accessories,
8 cm³ displacement,
100 bar operating pressure

Hydraulic clamping pump	8805006
Foot lever	0990102
Base	3533001
High-pressure hose 1.6 m	9320601600
Gauge with 90° elbow	9811015
Hydraulic oil	9895001

The pump supplied filled with oil.