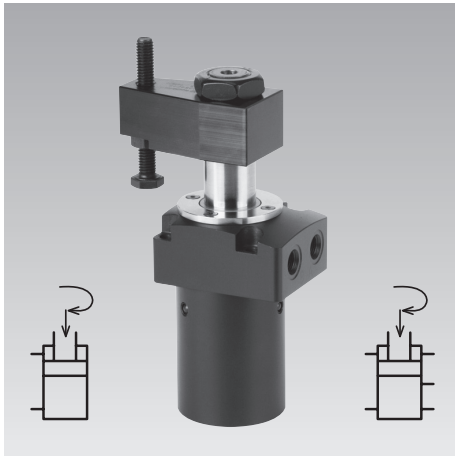




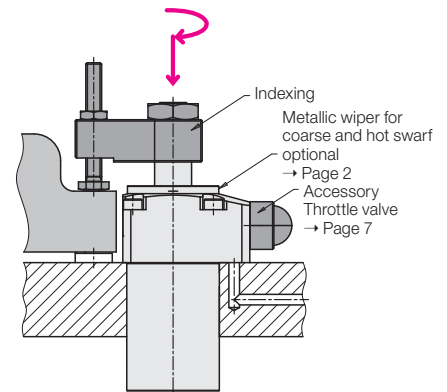
Swing clamp with reinforced swing mechanism

Position monitoring optional: pneumatically integrated / electrically attachable
Top flange type, double acting, max. operating pressure 70 bar



Advantages

- 4 sizes available
- Compact design partially recessible
- High clamping force already at 70 bar
- Extremely short clamping and unclamping times
- Accessory throttle valve, screw-in
- Indexing of clamping arm
- Standard FKM wiper
- Metallic wiper optional
- Pneumatic position monitoring integrated for type 185XP, standard
- Electrical position monitoring for type 185XQ, available as accessory
- Mounting position: any



Application

Hydraulic swing clamps are used for clamping of workpieces, when it is essential to keep the clamping area free of straps and clamping components for unrestricted workpiece loading and unloading.

This series obtains very high clamping forces even at 70 bar and can directly be connected to the low-pressure hydraulics of the machine tools.

With the reinforced swing mechanism and the optional position monitorings these swing clamps are particularly suitable for:

- Automatic manufacturing systems with very short cycle times
- Clamping fixtures with workpiece loading by handling systems
- Transfer lines and assembly lines
- Test systems for motors, gears and axes
- Assembly lines
- Special machine tools

Description

The hydraulic swing clamp is a pull-type cylinder where a part of the total stroke is used to swing the piston.

The reinforced swing mechanism ensures that the angle position of the clamping arm remains the same even if a slight collision with the workpiece during loading and unloading or during clamping occurs.

The angle position of the clamping arm is fixed with a dowel pin.

The FKM wiper at the piston rod can be protected against coarse and hot swarf by an optionally available metallic wiper (see page 2).

The version with extended switch rod is provided for mounting electrical position monitoring (accessory).

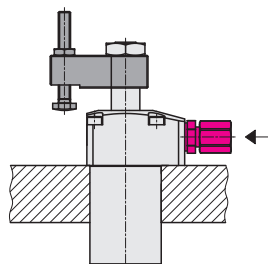
Important notes see page 2.

Installation and connecting possibilities

Pipe thread

without position monitoring

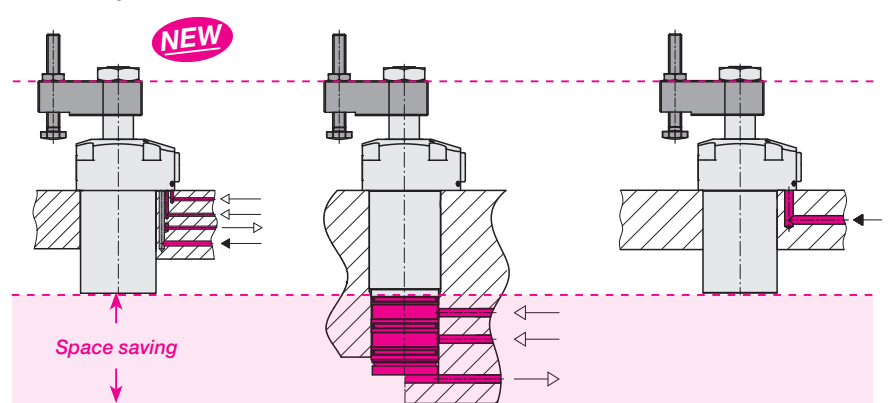
185XT → Page 2



Drilled channels

with integrated pneumatic position control

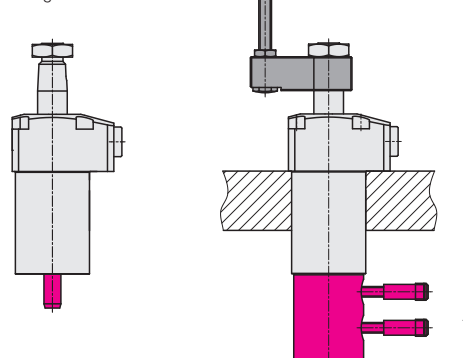
185XP → Page 4



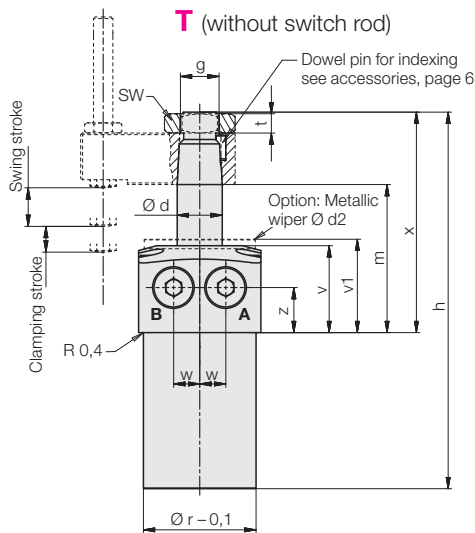
with switch rod for electrical position monitoring (see accessories)

185XQ → Page 2

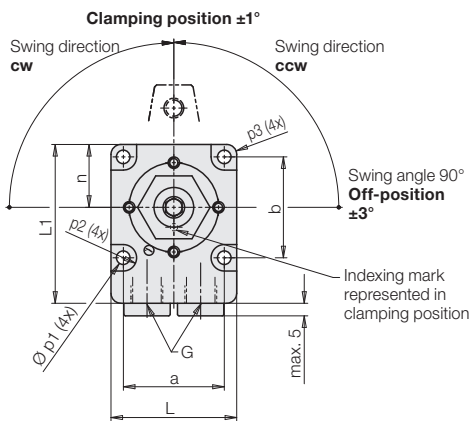
→ Page 8



Versions T and Q Dimensions



A = Clamping
B = Unclamping



Swing angle

1. Swing angle 90° and 0° (standard)

Part no.

90° cw	185X090RXX
90° ccw	185X090LXX
0°	185X0000XX

2. Swing angle $\alpha < 90^\circ$

$\alpha = 15^\circ$ to 75° in gradation of 5°

By insertion of a distance plate the return stroke of the piston is reduced and thus the swing angle is reduced.

Clamping stroke and clamping position remain the same. The swing stroke and the dimensions h, m and x are reduced by y:

$$y = (90^\circ - \alpha^\circ) * k \quad (k \text{ see chart page 3})$$

Dimension 8 ± 0.5 is lengthened by the value y.

Example:

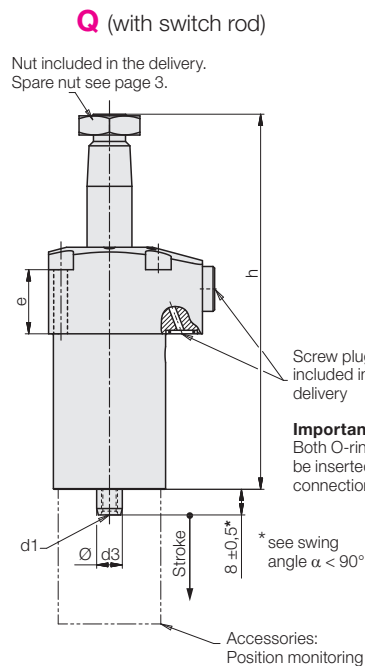
Swing clamp	1856T090L27
Desired swing angle	45° ccw
Part no.	1856T045L27

Shortening:

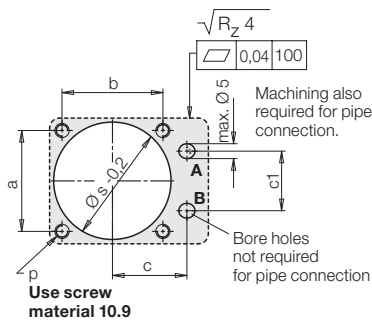
$$y = (90^\circ - 45^\circ) * 0.125 \text{ mm}/^\circ = 5.625 \text{ mm}$$

3. Swing angle $> 90^\circ$

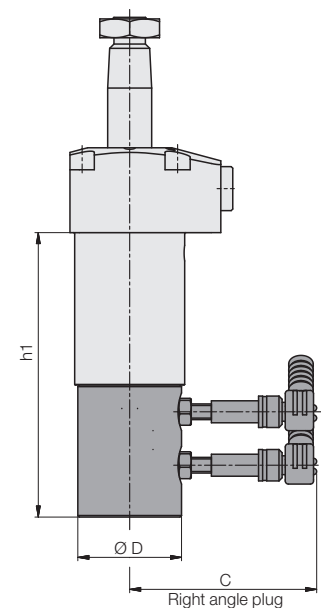
Available on request!



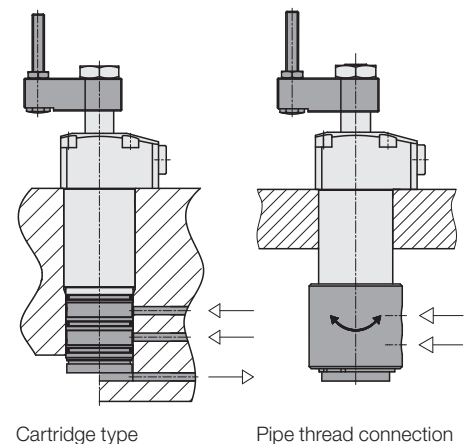
Connecting scheme



Electrical position monitoring (→ page 8)



Pneumatic position monitorings available on request



Important notes

Swing clamps must only be used for clamping of workpieces in industrial applications and may only be operated with hydraulic oil. They can generate very high forces. The workpiece, the fixture or the machine must be in the position to compensate these forces.

In the effective area of piston rod and clamping arm, there is the danger of crushing.

The manufacturer of the fixture or the machine is obliged to provide effective protection devices. The swing clamp has no overload protection device. When mounting the clamping arm, the clamping arm or the hexagon socket in the piston have to be backed up for tightening or untightening the fixing nut.

During loading and unloading of the fixture and during clamping a collision with the clamping arm has to be avoided.

Remedy: Mount position adaptor.

Wiper system

The standard FKM wiper has a high chemical resistance against most cooling and cutting fluids. The optional metallic wiper protects the FKM wiper against mechanical damage due to big or hot swarf.

It consists of a radially floating wiping disk and a retaining disk.

The metallic wiper can be delivered already mounted ("M") or as an accessory for retrofitting (part no. see page 7).

Attention!

The metallic wiper is not suitable for dry machining or minimum quantity lubrication. Also in applications with very little grinding swarf, the standard FKM wiper has a better protection effect.

If there is any danger that small particles stick to the piston rod, the metallic wiper disk can also be replaced by a hard plastic disk.

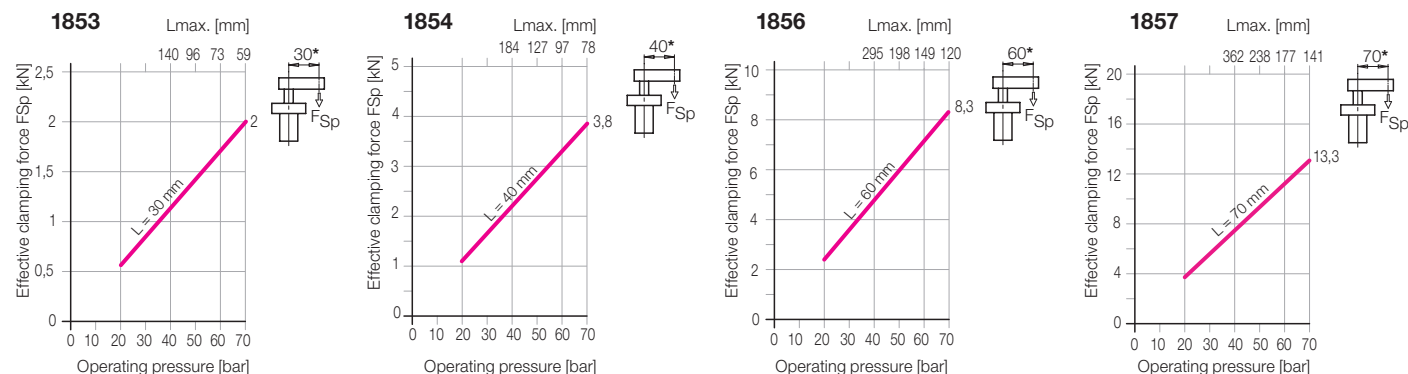
Versions T and Q
Technical data • Dimensions

Swing clamps		1853	1854	1856	1857
Max. pulling force (70 bar)	[kN]	2.35	4.46	9.9	16.1
Effective clamping force	[kN]	see diagram or calculation of the clamping force on page 6			
Clamping stroke	[mm]	8	8	10	10
Swing stroke	[mm]	8	13	17	19
Total stroke	[mm]	16	21	27	29
Min. operating pressure	[bar]	20	20	20	20
Max. flow rate	Clamping	13.5	33.5	96	167
	Unclamping	20	53.5	145	255
Piston area	Clamping	3.36	6.37	14.16	23
	Unclamping	4.9	10.17	21.23	33.18
Oil volume / stroke	[cm ³]	5.4	13.4	38.3	66.7
Oil volume / return stroke	[cm ³]	7.9	21.4	57.4	102
Piston Ø	[mm]	25	36	52	65
a	[mm]	30.5	40	56	68
b	[mm]	30.5	40	56	68
c	[mm]	22.5	28	36	42
c1	[mm]	18	24	36	45
Ø d	[mm]	14	22	30	36
Ø d1	[mm]	M5x14.5 deep	M6 x 11.5 deep	M8x16.0 deep	M8x16.0 deep
Ø d2	[mm]	34.5	44.5	52.5	58.5
Ø d3 f7	[mm]	8	10	12	12
e	[mm]	20	19.5	19	23.5
SW	[mm]	SW 19	SW 27	SW 36	SW 46
g	[mm]	M12	M18 x 1.5	M24x1.5	M30x1.5
G		G 1/8	G 1/8	G 1/4	G 1/4
h	[mm]	117	149	178.5	203.5
h1	[mm]	90.5	110	132	141
k	[mm/°]	0.056	0.095	0.125	0.125
L	[mm]	38	50	70	86
L1	[mm]	48	60	82	96
m	[mm]	46	54	64.5	72.5
n	[mm]	19	25	35	43
p	[mm]	M4 (10.9)	M5 (10.9)	M8 (10.9)	M10 (10.9)
Ø p1	[mm]	4.3	5.5	9	11
p2	[mm]	4	5	7	9
p3	[mm]	3	3	6	7
Ø r -0.1	[mm]	35	47	63	78
Ø s -0.2	[mm]	36	48	64	79
t	[mm]	6	9	10	12
v	[mm]	27	29.5	34.5	39
v1	[mm]	29	31.5	36.5	41
w	[mm]	8.1	11	15	19
x	[mm]	68.5	88	101.5	119.5
z	[mm]	14	13.5	15.5	15.5
Weight, approx.	[kg]	0.7	1.5	3.0	5.0
Part no.	Swing direction 90° cw	1853X090R16M	1854X090R21M	1856X090R27M	1857X090R29M
	Swing direction 90° ccw	1853X090L16M	1854X090L21M	1856X090L27M	1857X090L29M
	0 degree	1853X000016M	1854X000021M	1856X000027M	1857X000029M
Spare O-ring	[mm]	7x1.5	7x1.5	8x1.5	8x1.5
Part no.		3000342	3000342	3000343	3000343
Spare nut DIN 936		M12	M18 x 1.5	M24x1.5	M30x1.5
Tightening torque	[Nm]	12	30	62	110
Part no.		3302115	3301663	3302104	3302139

Code letter **X** see page 2

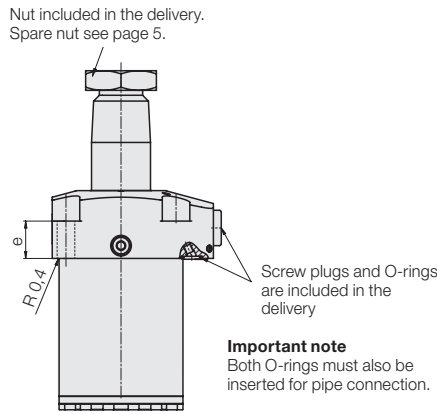
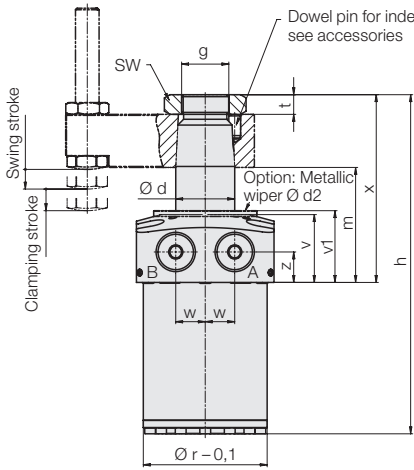
Metallic wiper **M** = option (see page 2)

Effective clamping force with accessory clamping arm as a function of the oil pressure

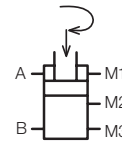


* Clamping force for other lengths see page 6

P (with integrated pneumatic position monitoring)

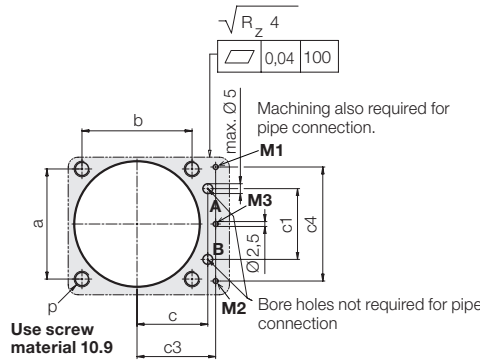
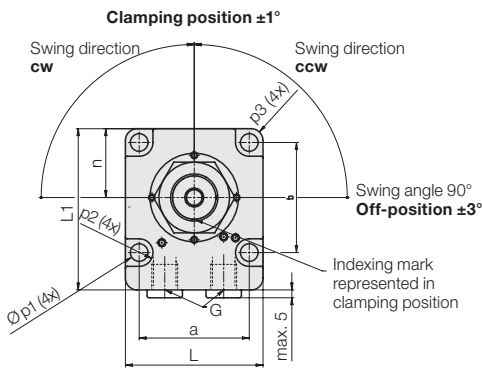


Important note
Both O-rings must also be inserted for pipe connection.



- A** = Clamping
- B** = Unclamping
- M1** = Clamped (pneumatic)
- M2** = Unclamped (pneumatic)
- M3** = Outlet air (pneumatic)

Connecting scheme



Pneumatic position monitoring

Application

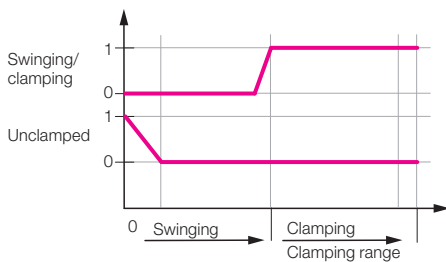
The pneumatic position monitoring signals the following conditions by closing two bore holes:

1. Piston extended and clamping arm in off-position.
2. Piston in clamping area and clamping arm in clamping position.

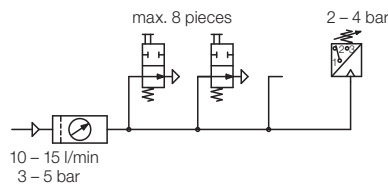
For each control function, a pneumatic line has to be provided at the clamping fixture.

Pneumatic diagram

0 = Passage
1 = No passage/closed



Monitoring by pneumatic pressure switch



For the evaluation of the pneumatic pressure increase, standard pneumatic pressure switches can be used. With one pressure switch up to 8 position monitorings can be monitored. Note that reliable functioning of pneumatic monitoring is only guaranteed if the throttled air pressure and air flow rate are throttled.

Technical data

Port	Drilled channels
Nominal diameter	2 mm
Max. air pressure	10 bar
Range of operating pressure	3-5 bar
Differential pressure*) at 3-5 bar system pressure	min. 1.5 bar
Air flow rate	10-15 l/min

*) Minimum pressure difference, if one or several position monitorings are not operated

Version P
Technical data • Dimensions

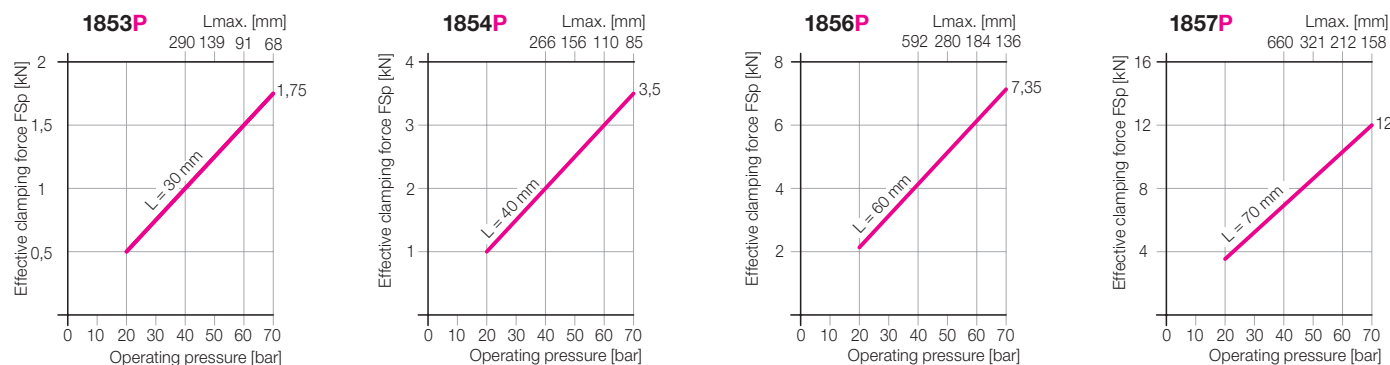
Swing clamps		1853P	1854P	1856P	1857P	
Max. pulling force (70 bar)	[kN]	2.35	4.46	9.9	16.1	
Effective clamping force	[kN]	see diagram or calculation of the clamping force on page 6				
Clamping stroke	[mm]	8	8	10	10	
Swing stroke	[mm]	8	9	11	15	
Total stroke	[mm]	16	17	21	25	
Min. operating pressure	[bar]	20	20	20	20	
Min. clamping and unclamping times	[s]	0.5	0.5	0.5	0.5	
Max. flow rate	[cm ³ /s]	10.8	21.6	60	115	
Piston area	Clamping	15.8	34.6	89.2	166	
	Unclamping	3.36	6.37	14.16	23	
Oil volume / stroke	[cm ³]	4.9	10.17	21.23	33.18	
Oil volume / return stroke	[cm ³]	5.4	10.8	29.8	57.5	
Piston Ø	[mm]	7.9	17.3	44.6	83	
a	[mm]	25	36	52	65	
b	[mm]	30.5	40	56	68	
c	[mm]	30.5	40	56	68	
c1	[mm]	22.5	28	36	42	
c3	[mm]	18	24	36	45	
c4	[mm]	21	28	40	44.5	
Ø d	[mm]	31.8	41	58	67	
Ø d2	[mm]	14	22	30	36	
e	[mm]	20	19.5	19	23.5	
SW	[mm]	SW 19	SW 27	SW 36	SW 46	
g	[mm]	M 12	M 18x1.5	M 24x1.5	M 30x1.5	
G	[mm]	G 1/8	G 1/8	G 1/4	G 1/4	
h	[mm]	116.5	145	172.5	199.5	
L	[mm]	38	50	70	86	
L1	[mm]	48	60	82	96	
m	[mm]	45.5	50	59	68.5	
n	[mm]	19	25	35	43	
p	[mm]	M 4 (10.9)	M 5 (10.9)	M 8 (10.9)	M 10 (10.9)	
Ø p1	[mm]	4.3	5.5	9	11	
Ø p2	[mm]	4	5	7	9	
p3	[mm]	3	3	6	7	
Ø r -0.1	[mm]	35	47	63	78	
Ø s -0.2	[mm]	36	48	64	79	
t	[mm]	6	9	10	12	
v	[mm]	27	29.5	34.5	39	
v1	[mm]	29	31.5	36.5	41	
w	[mm]	8	11	15	19	
x	[mm]	68	84	95.5	115.5	
z	[mm]	14	13.5	15.5	15.5	
Weight, approx.	[kg]	0.7	1.5	3.2	5.1	
Part no.	Swing direction cw	1853PXXR16	1854PXXR17	1856PXXR21	1857PXXR25	
	Swing direction ccw	1853PXXL16	1854PXXL17	1856PXXL21	1857PXXL25	
	0°	1853P00016	1854P00017	1856P00021	1857P00025	
Spare O-ring	2 x hydraulics	[mm]	5x1.5	7x1.5	8x1.5	8x1.5
Part no.			3000340	3000342	3000343	3000343
Spare O-ring	3 x pneumatics	[mm]	3x1	3x1	2.9x1.78	2.9x1.78
Part no.			3001758	3001758	3000019	3000019
Spare nut DIN 936			M12	M 18x1.5	M24x1.5	M30x1.5
Tightening torque	[Nm]		12	30	62	110
Part no.			3302115	3301663	3302104	3302139

Length correction value for h, m, x, total stroke and swing stroke

Swing angle	Part no.	1853P	1854P	1856P	1857P
90°	185XP90XXX	0	0	0	0
60°	185XP60XXX	-3.5	-3.7	-4.9	-6.3
45°	185XP45XXX	-4.5	-4.7	-6.2	-8.2
0°	185XP000XX	0	0	0	0
With metallic wiper ¹⁾	185XPXXXXXM				

Example: 1854P45R17
h 145 -4.7 = 140.3
m 50 -4.7 = 45.3
x 84 -4.7 = 79.3
Total stroke 17 -4.7 = 12.3
Swing stroke 9 -4.7 = 4.3

Effective clamping force with accessory clamping arm as a function of the oil pressure



* Clamping force for other lengths see page 6

Admissible flow rate

With the accessory clamping arm and the admissible flow rate as per the chart, the shortest clamping time is approx. 0.5 seconds. Longer special clamping arms have a higher torque of inertia. To avoid an overload of the swing mechanism, the flow rate has to be reduced:

$$Q_L = Q_e \cdot \sqrt{\frac{J_e}{J_L}} \text{ cm}^3/\text{s}$$

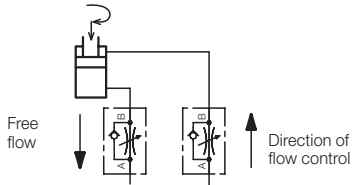
- Q_e = Flow rate as per chart
- Q_L = Flow rate with special clamping arm
- J_e = Torque of inertia accessory clamping arm
- J_L = Torque of inertia special clamping arm

If the torques of inertia are not known, the admissible flow rate can be determined according to the following example:
 Conditions: The special clamping arm is longer, has however the form (cross section) of the accessory clamping arm, as shown on page 6.

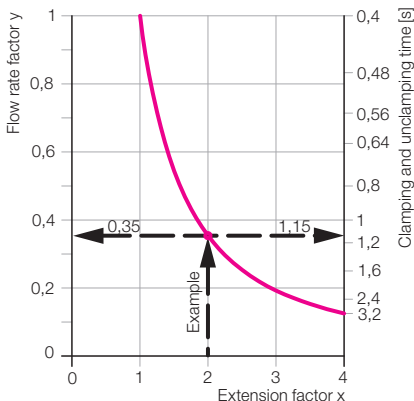
Example: Swing clamp 1853T090R16
 L = 60 mm
 e = 30 mm as per above chart
 Q_e = 13.5 cm³/s

1. Extension factor $x = \frac{L}{e} = \frac{60 \text{ mm}}{30 \text{ mm}} = 2$
2. Flow rate factor as per diagram → y = 0.35
3. Max. flow rate
 $Q_L = y \cdot Q_e = 0.35 \cdot 13.5 \text{ cm}^3/\text{s} = 4.7 \text{ cm}^3/\text{s}$
4. Min. clamping time as per diagram → approx. 1.15 s

Throttling of the flow rate



Adm. flow rate and clamping time as a function of the clamping arm extension



Clamping force calculation

The clamping force diagram shows the effective clamping force with accessory clamping arm (L = e).
 Versions **T** and **Q**: see page 3
 Version **P**: see page 5

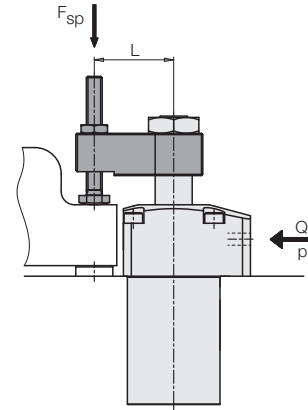
With longer clamping arms (L > e) the degree of efficiency is reduced. This is considered in the following calculation.
 The constants (A–E) for the 4 sizes are shown in the following charts.

Versions T and Q

Constant	1853	1854	1856	1857
A	29.68	15.68	7.06	4.35
B	0.177	0.069	0.023	0.013
C	102.9	260.5	853.8	1596
D	3053	4087	6026	6939
E	18.2	17.86	19.55	20.86

Version P

Constant	1853	1854	1856	1857
A	29.68	15.68	7.06	4.35
B	0.343	0.108	0.041	0.021
C	90	240	756	1442
D	2671	3763	5335	6270
E	30.8	25.9	31	30.5



Effective clamping force

$$F_{Sp} = \frac{p}{A + (B \cdot L)} \leq F_{adm.} \quad [\text{kN}]$$

Admissible clamping force*)

$$F_{adm} = \frac{C}{L} \quad [\text{kN}]$$

Admissible operating pressure

$$p_{adm} = \frac{D}{L} + E \leq 70 \quad [\text{bar}]$$

L = special length [mm] p = pressure [bar]

*) With a desired clamping arm length L the clamping force must not exceed the admissible value.

Example: Swing clamp 1853T090R16
 Special clamping arm L = 60 mm

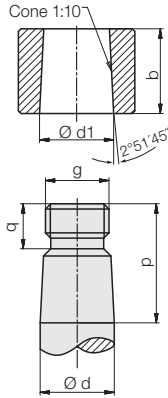
1. Admissible clamping force*)
 $F_{adm} = \frac{C}{L} = \frac{102.9}{60} = 1.71 \text{ kN}$
2. Admissible operating pressure
 $p_{adm} = \frac{D}{L} + E = \frac{3053}{60} + 18.2 = 69 \text{ bar} < 70$
3. Effective clamping force
 $F_{Sp} = \frac{p}{A + (B \cdot L)} = \frac{69}{29.68 + (0.177 \cdot 60)} = 1.71 \text{ kN}$

Example: Swing clamp 1853P090R16
 Special clamping arm L = 70 mm

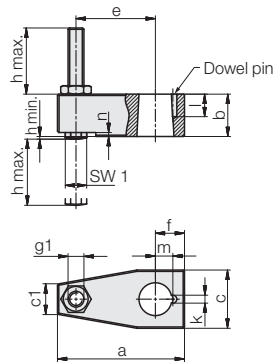
1. Admissible clamping force*)
 $F_{adm} = \frac{C}{L} = \frac{90}{70} = 1.29 \text{ kN}$
2. Admissible operating pressure
 $p_{adm} = \frac{D}{L} + E = \frac{2671}{70} + 30.8 = 69 \text{ bar} < 70$
3. Effective clamping force
 $F_{Sp} = \frac{p}{A + (B \cdot L)} = \frac{69}{29.68 + (0.343 \cdot 70)} = 1.29 \text{ kN}$

Accessory Clamping arm • Throttle valve

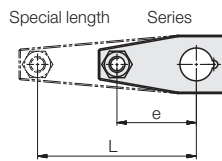
Dimensions for special clamping arms



Clamping arm with contact bolt



Special clamping arm



Flow rate and clamping force calculation, see page 6

Swing clamps	1853	1854	1856	1857	
a	[mm]	48	65	96	114
b	[mm]	16	25	27	35
c	[mm]	22	34	52	60
c1	[mm]	12	19	31	36
Ø d	[mm]	14	22	30	36
Ø d1 -0.05	[mm]	14	22	30	36
e	[mm]	30	40	60	70
f	[mm]	11	17	25	30
g	[mm]	M12	M18 x 1.5	M24 x 1.5	M30 x 1.5
g1	[mm]	M6	M8	M12	M16
h min.	[mm]	1	1	1	1
h max.	[mm]	40	46	54	63
Ø k +0.1	[mm]	3	3	6	6
l +0.5	[mm]	8.5	8.5	12.5	12.5
m ±0.05	[mm]	6.6	10.3	15	18.1
n	[mm]	1.5	2.5	6	8
p	[mm]	22.5	34	37	47
q	[mm]	8.5	11.5	12.5	15.5
SW 1	[mm]	8	10	18	24
Moment of inertia of J _e	[kg mm ²]	44	230	1284	3247

Part no.

Clamping arm with contact bolt and dowel pin	0354243	0354249	0354254	0354256
Dowel pin	3 m 6x8	3 m 6x8	6 m 6x12	6 m 6x12
	3301854	3301854	3300325	3300325
Metallic wiper	0341227	0341228	0341229	0341230

Accessory

Throttle valve

Throttle valves are used

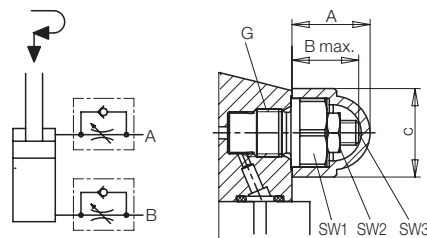
- in order to reduce the swing speed of the clamping arm
- in order to improve the synchronism of several swing clamps

This application is only possible for manifold-mounting connection through drilled channels.

Important note

If throttling is too strong, the back pressure can trigger premature switching of pressure switches and sequence valves.

Hydraulic symbol



Swing clamps	1853	1856	
	1854	1857	
A	[mm]	16	21
B max.	[mm]	13.5	17.5
C	[mm]	18	23.6
G		G 1/8	G 1/4
SW1	[mm]	14	19
Tightening torque	[Nm]	18	35
SW2	[mm]	8	8
SW3	[mm]	2.5	2.5
Weight	[kg]	0.025	0.036
Part no.	2957209	2957210	

Accessory

Electrical position monitoring

Application

The electrical position monitoring signals the following conditions due to damping of two inductive proximity switches:

1. Piston extended, clamping arm in off-position.
2. Piston in clamping area, clamping arm in clamping position.

For each control function, an electrical line has to be provided at the clamping fixture.

Description

The electrical position monitoring can be easily retrofitted at all swing clamps with switch rod (185XQ0XX).

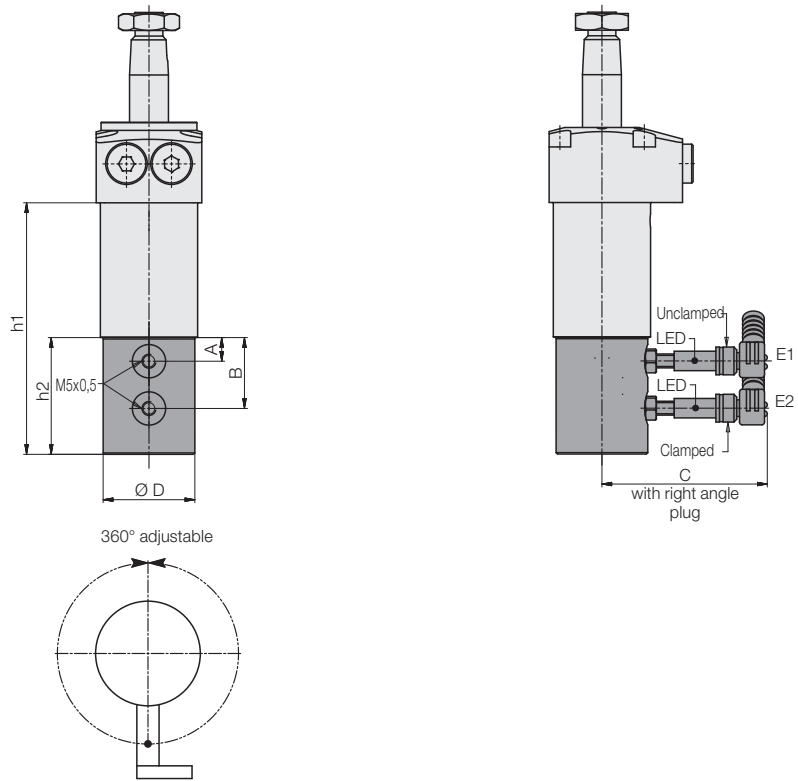
Included in our delivery are:

- 1 Signal sleeve with screw
- 1 Adapter with 4 countersunk screws
- 1 Control housing with 3 set screws
- 2 Inductive proximity switches with right angle plug (if ordered)

The signal sleeve is screwed onto the switch rod. The adapter is mounted with 4 countersunk screws on the bottom cover.

The control housing can be put onto the adapter in any angular position and locked with 3 set screws.

For information on adjustment of proximity switches, see operating manual.



Possible position of the proximity switches

Important notes

Inductive position monitorings are not suitable for the use in coolant and swarf areas. According to the corresponding application conditions, safety measures have to be planned and checked later on.

Technical data

Operating voltage	10–30 V DC
Max. residual ripple	10 %
Max. constant current	100 mA
Switching function	interlock
Output	PNP
Material of housing	stainless steel
Thread	M 5 x 0.5
Code class	IP 67
Ambient temperature	–25 to +70 °C
LED function display	Yes
Protected against short circuits	Yes
Type of connection	Connector
Length of cable	5 m

Swing clamps

	1853Q0XX	1854Q0XX	1856Q0XX	1857Q0XX
A	[mm] 8.5	8.5	8.5	8.5
B	[mm] 25.5	30.5	37.5	39.5
C approx.	[mm] 59.5	61	62	62
Ø D	[mm] 33	42	45	45
h1	[mm] 90.5	110	132	141
h2	[mm] 42	49	55	57

Part no. swing angle 0° or 90°

with switch and plug	0353920	0353926	0353930	0353943
without switch and plug	0353923	0353927	0353931	0353944

Part no. 15° to 75° = XX*

with switch and plug	03539200XX	03539260XX	03539300XX	03539430XX
without switch and plug	03539230XX	03539270XX	03539310XX	03539440XX

Part no. spare parts

Inductive proximity switch	3829 198	3829 198	3829 198	3829 198
Right angle plug 5 m	3829 099	3829 099	3829 099	3829 099

*) in gradation of 5° (see page 2, "swing angle $\alpha < 90^\circ$ ")

Function chart

