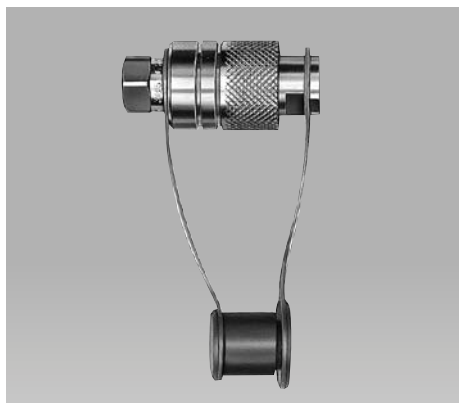




Quick-Disconnect Coupling

one-hand operation "Push-Pull" ND 5 connecting thread G 1/4
 max. operating pressure 500 bar



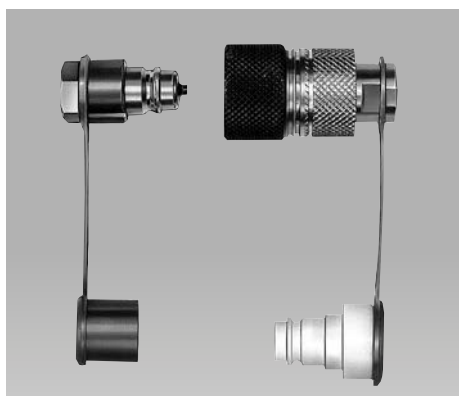
Coupling, complete



Nipple with dust cap



Coupling with dust cap



Coupling coded, complete

Description

The quick-disconnect coupling is a coupling of sturdy design which locks automatically after uncoupling.

The coupling and uncoupling process can be effected when both coupling parts are depressurized. The displacement of the sleeve to the corresponding coupling or uncoupling direction enables an easy one-hand operation.

Coupling "Push"

The knurled sliding sleeve of the coupling will be advanced manually. The coupling has to be advanced against the spring force of both sealing cones onto the nipple against mechanical stop.

When the sleeve is let off in this position the balls snap into the groove of the nipple. The position of the coupling should subsequently be rechecked.

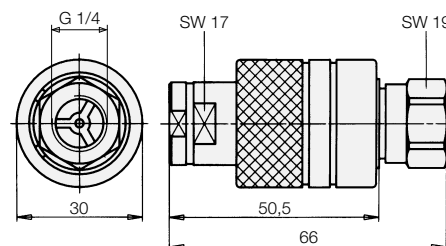
Uncoupling "Pull"

The knurled sliding sleeve of the coupling will be drawn back manually. The balls will be free and both coupling parts will disengage from each other.

Important notes!

The coupling should only be operated in depressurized mode. After uncoupling the coupling and the nipple should be fitted with the attached dust cap as shown on the photos. If the coupling remains coupled, the two dust caps should also be joined together as shown on the photo at the top.

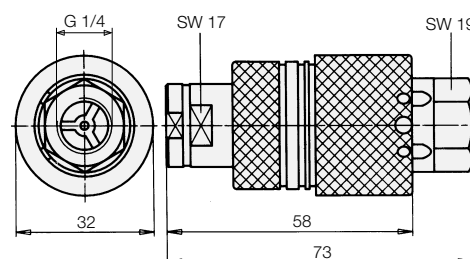
Basic version



Coded couplings

In case of more than one coupling port there is the risk of confusion when coupling. The coded couplings are not only marked by colour but additionally by means of a pin inside of the coupling which only fits into the groove of the corresponding nipple. The risk of confusion is thereby eliminated.

The easy handling of the coded Push-Pull couplings allows for a quick and safe finding of the mechanical code.



Part no.	Basic version		Coded couplings	
	FKM	FKM + VSV (white coded)	FKM	FKM + VSV (white coded)
Sealing material	FKM	FKM	FKM	FKM + VSV (white coded)
Coupling complete	9384 006		93847X5	9384 725*
Coupler „Push-Pull“	9384 106		93847X6	9384 726*
Nipple	9384 206		93847X7	9384 727*

Accessories

Dust cap for	coupler	9384 300	9384 600
	nipple	9384 400	9384 400

Spare seals for coupler

O-ring	3001 091	3001 091
Back-up ring	3000 228	3000 228

Colour key X

- 1 = black
- 3 = red
- 4 = yellow
- 5 = green
- 6 = blue

* The white coded nipple is provided with a preloaded valve (VSV) which limits a possible pressure-built up through internal leakage in hydraulic clamping elements to approx. 5 bar in uncoupled mode. The preloaded valve is not effective in coupled mode.