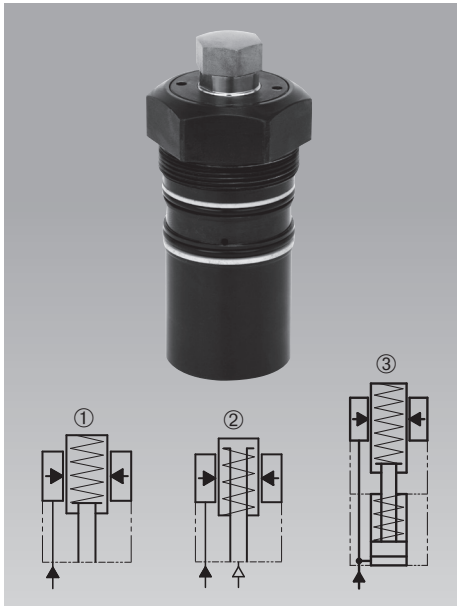


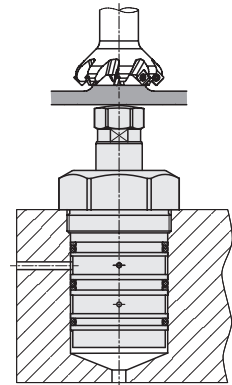


Threaded-Body Work Supports
with metallic wiper edge, 3 sizes, 3 types of function,
single acting, max. operating pressure 500 bar



Advantages

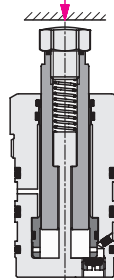
- Space-saving threaded-body version
- 3 sizes
- 3 types of function
- Contact force by spring or pneumatically adjustable (195X021)
- Load force up to 100 kN
- Venting for spring area universally connectable
- Metallic wiper edge and FKM wiper
- Connection of positive air pressure protection is possible
- Support plunger and interior parts protected against corrosion
- Connection of positive air pressure protection up to 4 bar is possible



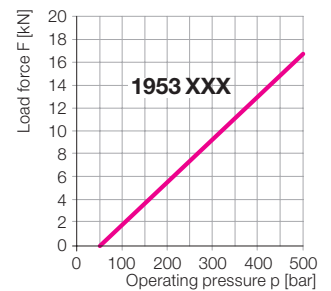
Types of function

1. Spring advanced

Page 2



Admissible load force as a function of the operating pressure



Application

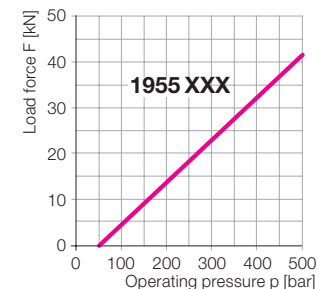
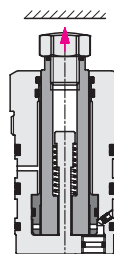
Hydraulic work supports are used to provide a self-adjusting rest for the workpiece during the machining operations. They compensate the workpiece surface irregularities, also vibration and deflection under machining loads. The threaded-body design allows for space-saving and direct installation into the fixture body. Oil supply is made through drilled channels.

Description

In the body of the threaded-body work support a thin-walled locking bush is integrated, which locks cylindrically around the freely-movable support plunger when pressurising the element with hydraulic oil. The elements are protected against penetration of swarf by a metallic wiper edge and sealed against liquids. The venting port allows also the connection of positive air pressure protection.

2. Air pressure advanced

Page 3

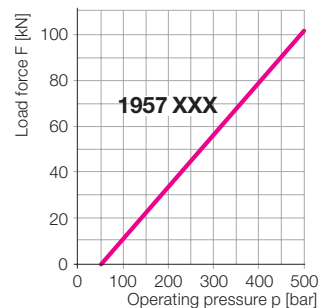
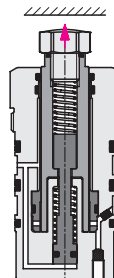


Important notes

Work supports are not suitable to compensate side loads. The support plunger must not be stressed by tensile load. The admissible load force is valid for static or dynamic load. Machining forces can generate vibrations, whose amplitude exceeds far an average value, and this can cause yielding of the support plunger. Operating conditions, tolerances and other data see data sheet A 0.100.

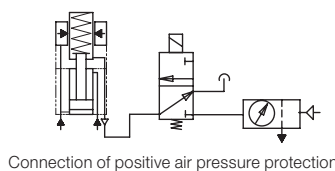
3. Hydraulic pressure and spring advanced

Page 4



Positive air pressure connection

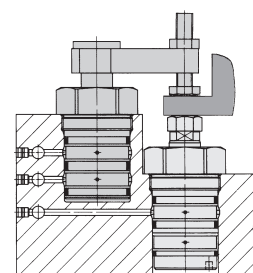
To guarantee functioning of the work supports, a vent port is imperative. No liquids may enter the end of the bore hole (see also data sheet G 0.110 „Venting of the spring area“). It is recommended to connect positive air pressure protection. While locking the support plunger, the positive air pressure must not exceed 4 bar. If the support plunger is not locked, the positive air pressure must be reduced to a maximum of 0.2 bar. The positive air pressure connection must be free of oil and water.



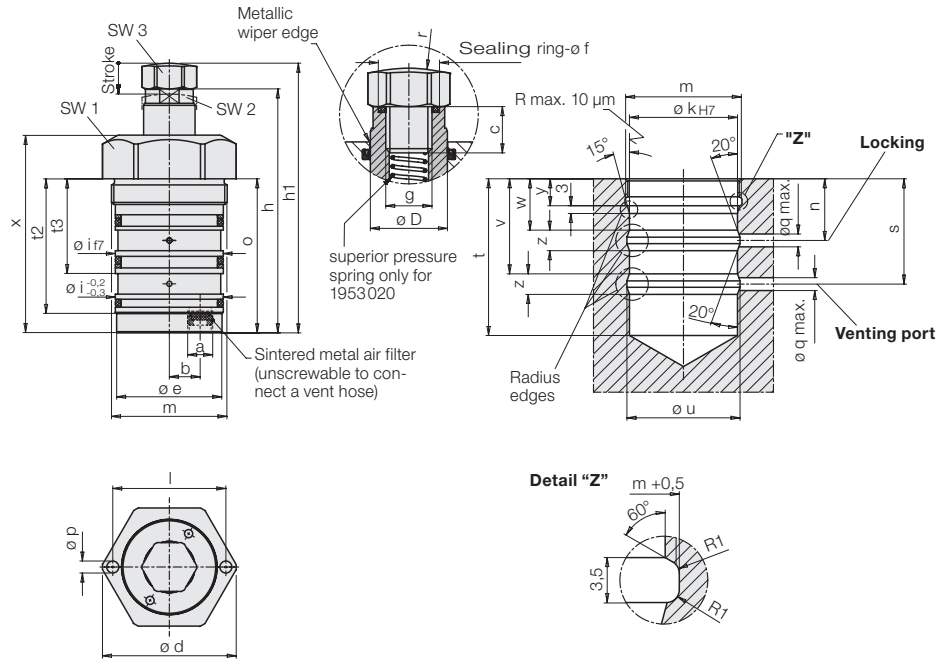
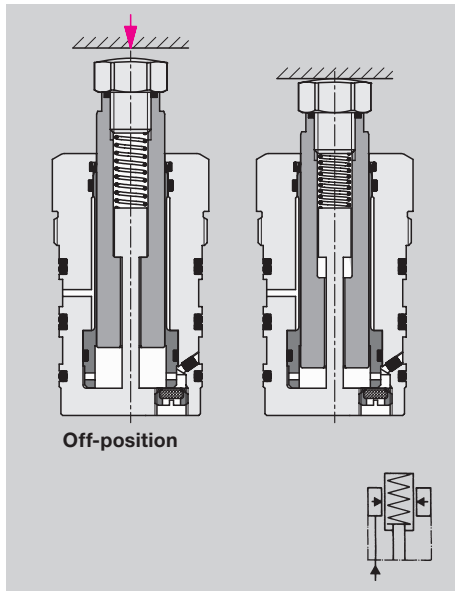
Connection of positive air pressure protection

Combination with clamping elements

Page 5



Type of function: Spring advanced
off-position extended, contact by spring force

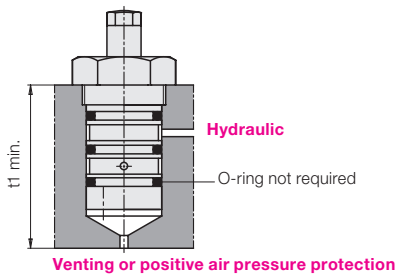


The support plunger is pushed back by the inserted workpiece, the spring force has to be overcome.

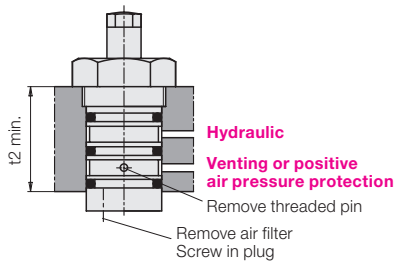
The support plunger will be locked by hydraulic pressure and can compensate forces in axis direction.

After unclamping the support plunger contacts still the workpiece with spring force, until the workpiece will be unloaded from the fixture.

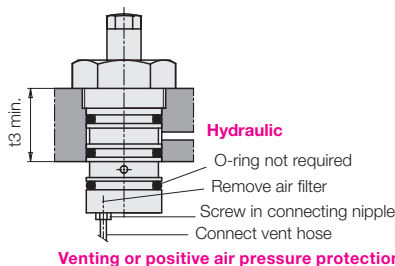
1. Venting via pocket hole



2. Venting via drilled channels



3. Venting via hoses



Support plunger Ø D	[mm]	20	32	50
Stroke	[mm]	12	16	20
Load force at 200/500 bar	[kN]	5.6/16.8	14/42	34/102
Plunger contact force min./max.	[N]	15/25	30/60	50/100
Elastic deformation at 500 500 bar*	[mm/kN]	0.004	0.003	0.002
a	[mm]	G 1/8	G 1/8	G 1/4
b	[mm]	12	18	30.5
c	[mm]	12	12	20
Ø d	[mm]	52	64	100
Ø e	[mm]	41	53	83
Ø f	[mm]	15.9	15.9	19.6
g	[mm]	M12	M12	M16
h	[mm]	95	119	174
h1	[mm]	105	129	184
Ø i f7	[mm]	42	55	85
Ø k H7	[mm]	42	55	85
l	[mm]	-	-	86
m	[mm]	M45x1.5	M60x1.5	M90x2
n	[mm]	24	29	41
o	[mm]	60	66	126
Ø p / deep	[mm]	-	-	8/9
Ø q max.	[mm]	5	5	6
r	[mm]	45	45	60
s	[mm]	41	46.5	64
t	[mm]	61	67	127
t1	[mm]	75	85	155
t2	[mm]	52	58	80
t3	[mm]	36	43	60
Ø u	[mm]	44	57	87
v	[mm]	37	41.5	59
w	[mm]	20	24	36
x	[mm]	77	99	146
y	[mm]	10.5	12.5	20.5
z	[mm]	8	10	10
SW 1	[mm]	46	55	95
SW 2	[mm]	17	27	41
SW 3	[mm]	19	19	24
Part no.		1953020	1955020	1957020
Spare seals - Seal kit for external seals		0132384	0132385	0132386
Spare sealing ring for contact bolt		3001731	3001731	3002018

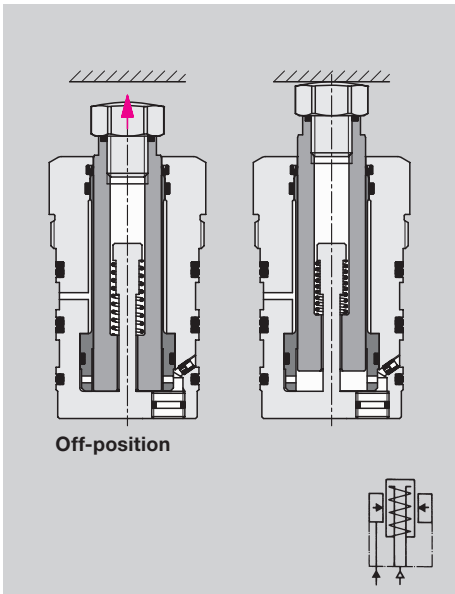
Accessory for venting

Type of venting 1**	Air filter	3302008	3302008	3302009
	Threaded pin M3x4	3301461	3301461	3301461
Type of venting 2	Plug	0361986	0361986	0361987
Type of venting 3	Connecting nipple	3890092	3890092	3890093
	Plastic hose	3890131	3890131	3890131

* during load

** Included in the delivery

Type of function: Air pressure advanced
extend and contact by air pressure

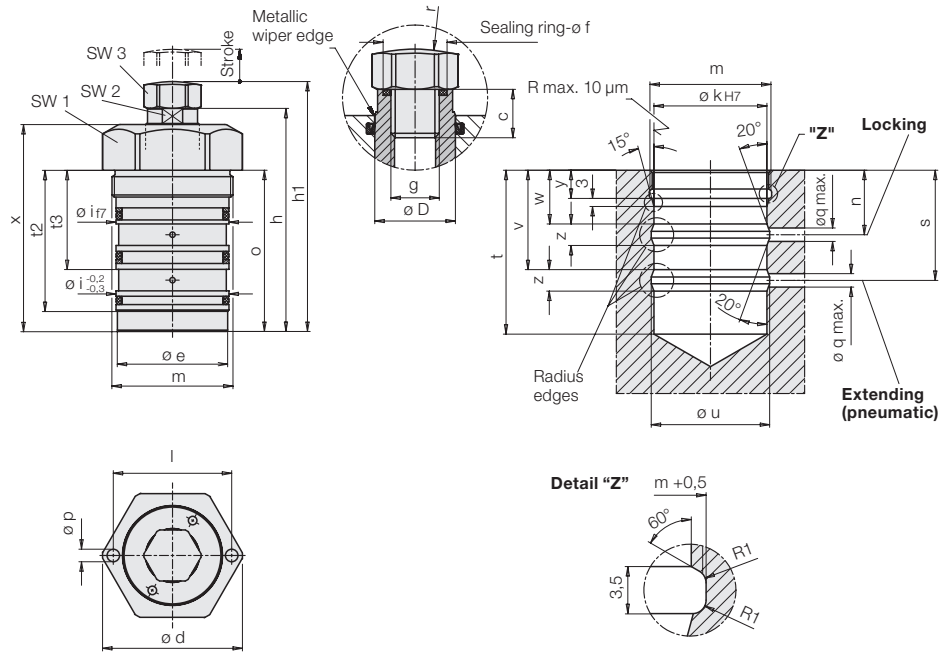


Off-position

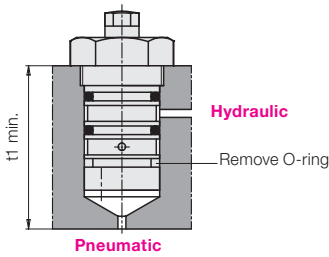
The support plunger contacts the workpiece by air pressure. The contact force is proportional to the air pressure less spring return force.

The support plunger will be locked by hydraulic pressure and can compensate forces in axis direction.

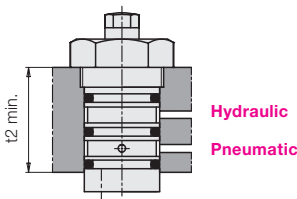
For unclamping hydraulic and air pressure will be released and the support plunger retracts by spring force to its off-position.



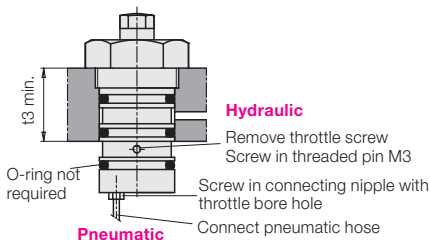
1. Pneumatic via pocket hole



2. Pneumatik über gebohrte Kanäle



3. Pneumatic via hoses



Support plunger Ø D	[mm]	20	32	50
Stroke	[mm]	12	16	20
Load force at 200/500 bar	[kN]	5,6/16,8	14/42	34/102
Spring force min./max.	[N]	15/25	30/60	50/100
Plunger contact force at 1 bar air pressure (deduct spring force if necessary)	[N]	31	80	196
Elastic deformation at 500 bar*	[mm/kN]	0,004	0,003	0,002
a	[mm]	G 1/8	G 1/8	G 1/4
b	[mm]	12	18	30,5
c	[mm]	12	12	20
Ø d	[mm]	52	64	100
Ø e	[mm]	41	53	83
Ø f	[mm]	15,9	15,9	19,6
g	[mm]	M12	M12	M16
h	[mm]	83	103	154
h1	[mm]	93	113	164
Ø i f7	[mm]	42	55	85
Ø k H7	[mm]	42	55	85
l	[mm]	-	-	86
m	[mm]	M45x1,5	M60x1,5	M90x2
n	[mm]	24	29	41
o	[mm]	60	66	126
Ø p / deep	[mm]	-	-	8/9
Ø q max.	[mm]	5	5	6
r	[mm]	45	45	60
s	[mm]	41	46,5	64
t	[mm]	61	67	127
t1	[mm]	75	85	155
t2	[mm]	52	58	80
t3	[mm]	36	43	60
Ø u	[mm]	44	57	87
v	[mm]	37	41,5	59
w	[mm]	20	24	36
x	[mm]	77	99	146
y	[mm]	10,5	12,5	20,5
z	[mm]	8	10	10
SW 1	[mm]	46	55	95
SW 2	[mm]	17	27	41
SW 3	[mm]	19	19	24

Part no.	1953021	1955021	1957021
Spare seals - Seal kit for external seals	0132384	0132385	0132386
Spare sealing ring for contact bolt	3001731	3001731	3002018

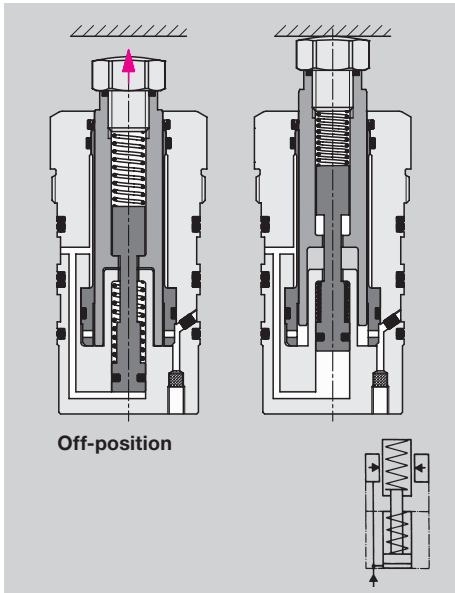
Accessory for venting

Type of venting 1+2**	Plug	0361986	0361986	0361987
	Throttle screw	3610151	3610150	3610154
	Connecting nipple	3890190	3890191	3890192
Type of venting 3	Threaded pin M3x4	3301461	3301461	3301461
	Plastic hose	3890131	3890131	3890131

* during load

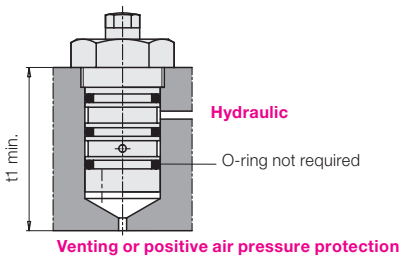
** Included in the delivery

**Type of function: Hydraulic pressure and spring advanced
extending hydraulically, contact by spring force**

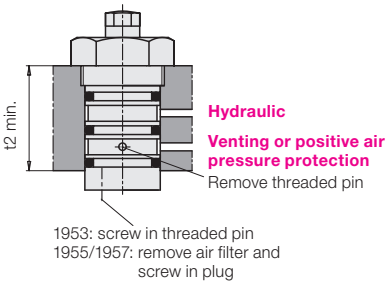


The support plunger is extended by a hydraulically pressurised small piston and contacts the workpiece with spring force. The support plunger will be locked by the increasing hydraulic pressure and can compensate forces in axis direction. For unclamping hydraulic pressure will be released. The small piston retracts by spring force to its off-position and also retracts the support plunger.

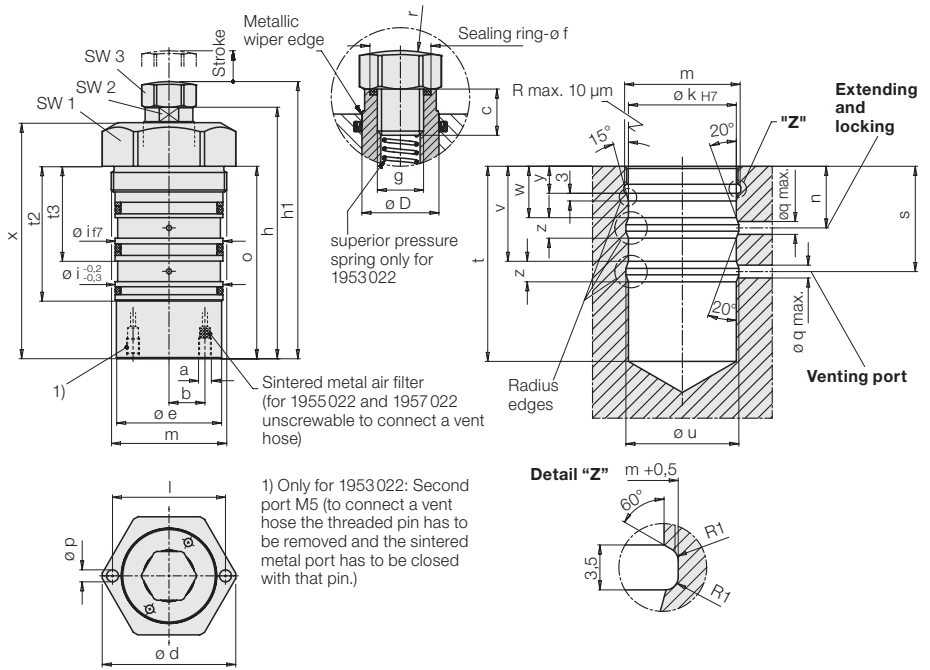
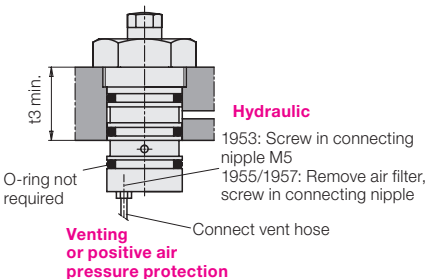
1. Venting via pocket hole



2. Venting via drilled channels



3. Venting via hoses



Support plunger Ø D	[mm]	20	32	50
Stroke	[mm]	12	16	20
Load force at 200/500 bar	[kN]	5.6/16.8	14/42	34/102
Plunger contact force min./max.	[N]	15/25	30/60	50/100
Admissible oil flow rate	[cm ³ /sec]	25	35	100
Required oil per stroke	[cm ³]	1.0	3.3	9.8
Elastic deformation at 500 bar*	[mm/kN]	0.004	0.003	0.002
a	[mm]	M5	G 1/8	G 1/4
b	[mm]	14	18	30.5
c	[mm]	12	12	20
Ø d	[mm]	52	64	100
Ø e	[mm]	41	53	83
Ø f	[mm]	15.9	15.9	19.6
g	[mm]	M12	M12	M16
h	[mm]	98	120	172
h1	[mm]	108	130	182
Ø i f7	[mm]	42	55	85
Ø k H7	[mm]	42	55	85
l	[mm]	-	-	86
m	[mm]	M45x1.5	M60x1.5	M90x2
n	[mm]	24	29	41
o	[mm]	75	83	144
Ø p / deep	[mm]	-	-	8/9
Ø q max.	[mm]	5	5	6
r	[mm]	45	45	60
s	[mm]	41	46.5	64
t	[mm]	76	84	145
t1	[mm]	90	102	172
t2	[mm]	52	58	80
t3	[mm]	36	43	60
Ø u	[mm]	44	57	87
v	[mm]	37	41.5	59
w	[mm]	20	24	36
x	[mm]	92	116	164
y	[mm]	10.5	12.5	20.5
z	[mm]	8	10	10
SW 1	[mm]	46	55	95
SW 2	[mm]	17	27	41
SW 3	[mm]	19	19	24
Part no.		1953022	1955022	1957022
Spare seals – Seal kit for external seals		0132384	0132385	0132386
Spare sealing ring for contact bolt		3001731	3001731	3002018

Accessory for venting

Type of venting 1**	Air filter	3302008	3302008	3302009
	Threaded pin M3x4	3301461	3301461	3301461
Type of venting 2	Threaded pin M5x6	3301300	-	-
	Plug	-	0361986	0361987
Type of venting 3	Connecting nipple	3890091	3890092	3890093
	Plastic hose	3890131	3890131	3890131

* during load

** Included in the delivery

Dimensioning of the load force of work supports

The admissible load force of work supports has always to be dimensioned so that the clamping force of the used clamping elements and the static and dynamic machining forces can be safely compensated.

- Admissible load force**
- Clamping force
- Safety (reserve)

- = Possible machining force

If the total of all occurring forces exceeds the admissible load force, the support plunger of the work support will be pushed back and the work support will be damaged.

Ratio of load force to clamping force

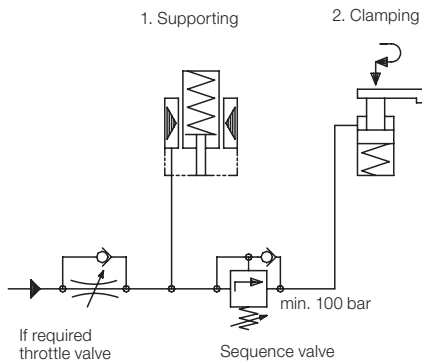
On principle the load force of the work supports should be at least twice the clamping force of the clamping elements.

Load force $\geq 2 \times$ clamping force

Clamping onto the work support

Control of clamping sequence

The sequence – supporting and clamping – has to be controlled as a function of the pressure, e.g. by a sequence valve.



The sequence valve has to be adjusted to an opening pressure above the intersection of the two straight lines in the diagram.

If due to a too high flow rate a throttle valve is required, installation should be made as shown in the hydraulic circuit diagram.

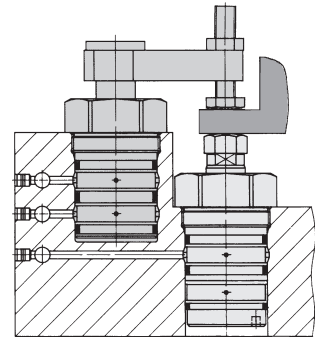
Combinations work supports with swing clamps of the same size

To get a load force twice the clamping force, for all 3 sizes of work supports an operating pressure of at least 200 bar is required.

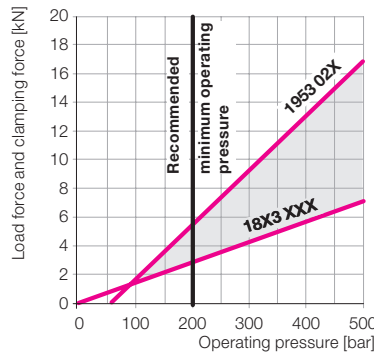
The vertical distance of the two straight lines in the area of the colorised surface indicates the resulting maximally possible machining force including reserve.

Example

The threaded-body swing clamp 1895 101 (data sheet B 1.892) clamps a workpiece onto the work support 1955 022.



Size 1953



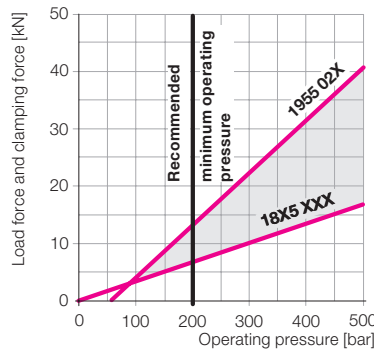
For size 1955 the following can be taken from the diagram:

Minimum operating pressure:	200 bar
Load force at 200 bar:	14 kN
Clamping force at 200 bar:	7 kN

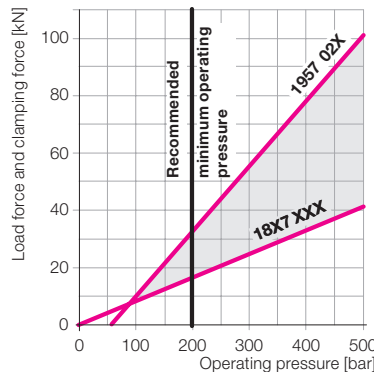
Possible machining force at 200 bar:

Admissible load force:	14 kN
- Clamping force:	- 7 kN
= Possible machining force:	7 kN
	(including reserve)

Size 1955



Size 1957



Important note

The admissible load forces as per the diagram are static. The machining forces can also generate vibrations which exceed by far the mean value. For this reason a corresponding safety factor has to be taken into account.